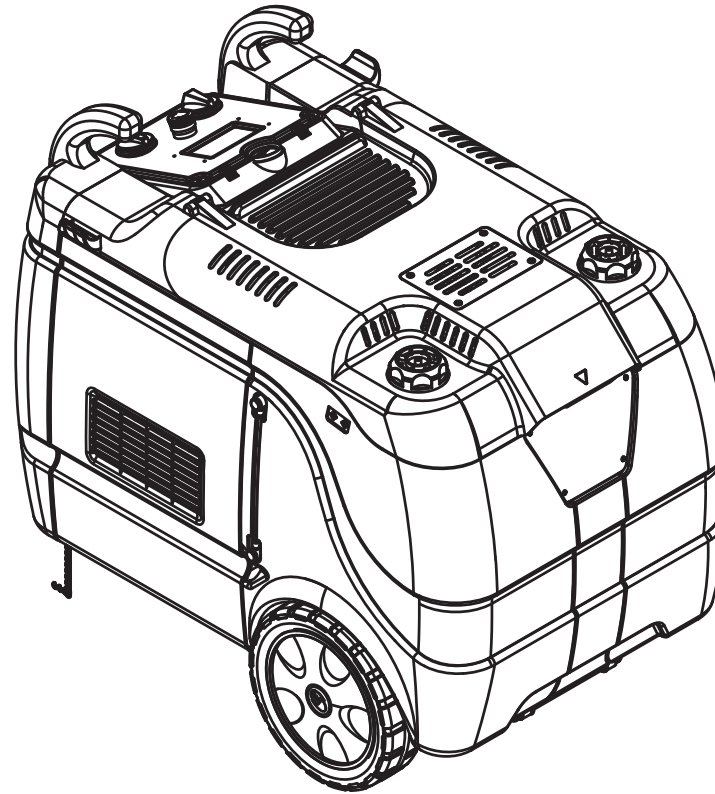


OPTIMA STEAMER

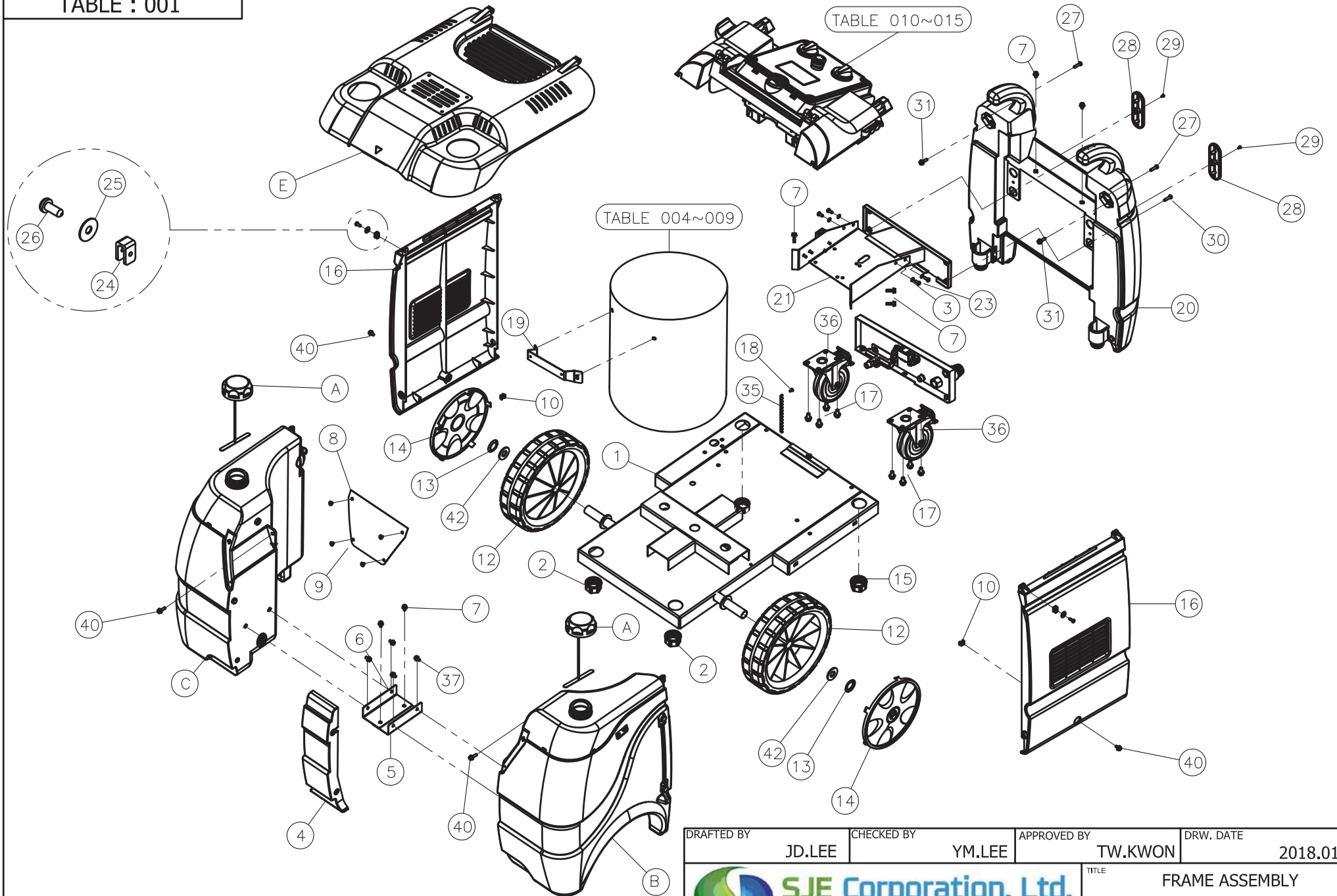
PART LIST FOR XE (Ver. G2.3.01-2018.01.01)

1. FRAME ASSEMBLY
2. FEED WATER LINE
3. TANK ASSEMBLY
4. STEAM GENERATOR (27K)
5. STEAM GENERATOR (18K)
6. STEAM GENERATOR (18K, 230V)
7. STEAM GENERATOR (12K)
8. STEAM GENERATOR (12K, 230V)
9. STEAM GENERATOR (05K)
10. CONTROL BOX (27K)
11. CONTROL BOX (18K, 380V~)
12. CONTROL BOX (18K, 208~230V)
13. CONTROL BOX (12K, 380V~)
14. CONTROL BOX (12K, 208~230V)
15. CONTROL BOX (05K)
16. SCHEMATIC DIAGRAM (27K)
17. SCHEMATIC DIAGRAM (18K, 380V~)
18. SCHEMATIC DIAGRAM (18K, 230V)
19. SCHEMATIC DIAGRAM (18K, 208V)
20. SCHEMATIC DIAGRAM (12K, 380V~)
21. SCHEMATIC DIAGRAM (12K, 230V)
22. SCHEMATIC DIAGRAM (12K, 208V)
23. SCHEMATIC DIAGRAM (05K, 230V)
24. SCHEMATIC DIAGRAM (05K, 208V)
25. OPTIMA XE STICKER
26. ACCESSORIES & OPTIONAL PARTS
27. OMEGA SOFTNER(OPTIONAL)



78-21, Sandan 7-Ro, Jeongwan-Eup, Gijang-Gun, Busan, Rep. of Korea.
TEL. +82-51-521-3200 / +82-51-727-5775 FAX +82-51-521-3305
WEBSITE: <http://www.sjecorp.com> / E-MAIL: info@sjecorp.com

TABLE : 001



DRAFTED BY	CHECKED BY	APPROVED BY	DRW. DATE
JD.LEE	YM.LEE	TW.KWON	2018.01.01
 SJE Corporation, Ltd. Global Leader of Green solutions			TITLE
			FRAME ASSEMBLY
MODEL	SCALE	SIZE	
OPTIMA XE	1: 10	A4	

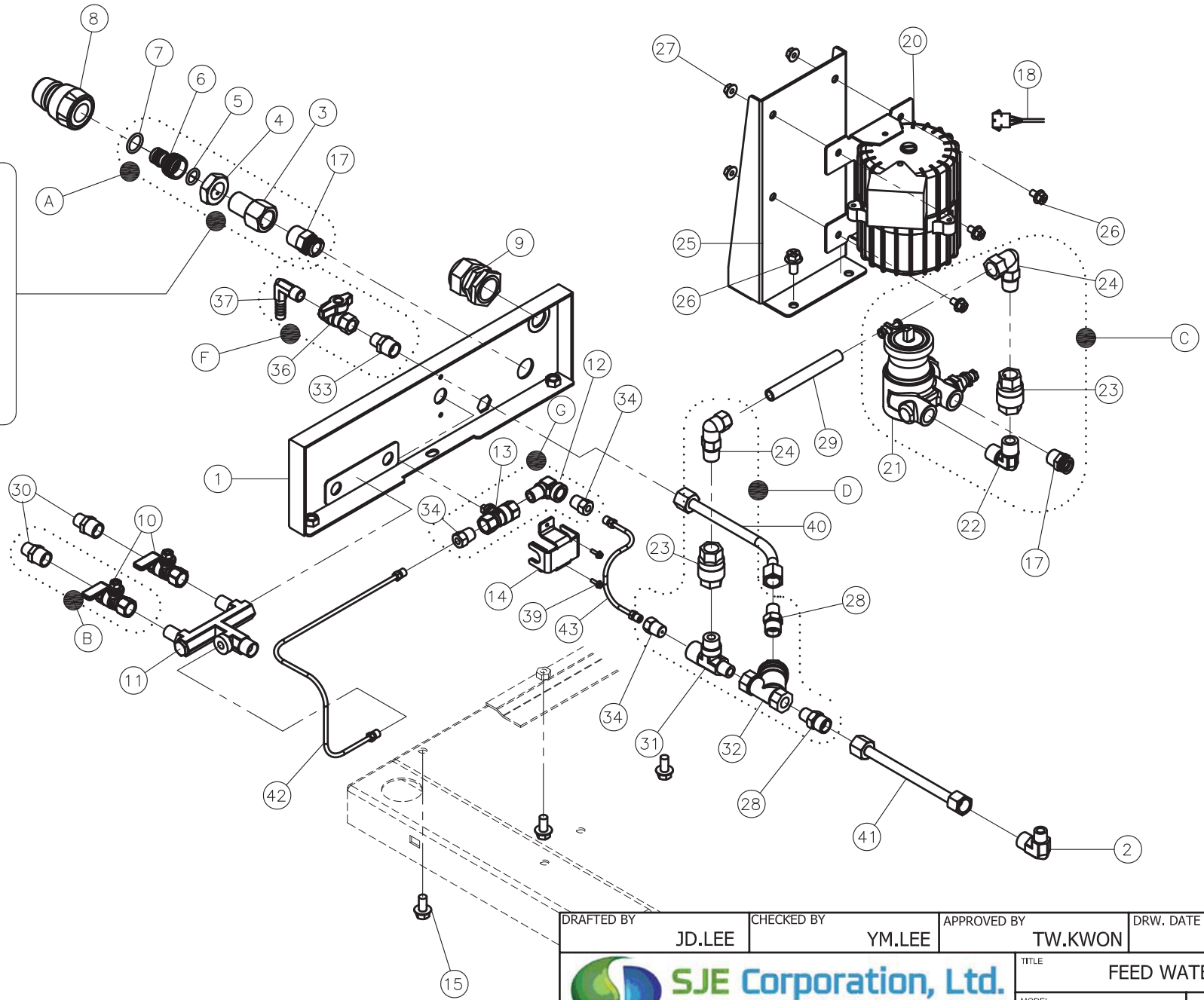
TABLE NO. 001 : FRAME ASSEMBLY

REF NO.	PART NO.	DESCRIPTION	Q'TY	UNIT	MATERIAL	FROM	TO	REPLACED NO.
1	20-05003	Chassis, optima XD/E	1	EA	SS400			
2	70554	Ring nut M39x3, L.46	2	EA				
3	14-41019	Toothed lock washer M6	4	EA				
4	20-03028	Front cover, XD/E-Red	1	EA	PP			
5	20-06023	Water tank fixing bracket, XD/E	1	EA	SUS			
6	20-06022	Fuel tank fixing bracket, XD/E	1	EA	SUS			
7	70422	Flange bolt M6 x 10	8	EA				
8	20-01027	Emblem plate, XD/E	1	EA	SUS			
9	14-40035	Truss head tapping screw M5 X 12, II sus	4	EA				
10	70389	Nut M6 GB 1.7x2.5	2	EA				
12	70581	Wheel D.305-D.25 RT	2	EA				
13	70381	Wheel stopper D.25	2	EA				
14	20-03033	Wheel cover, Red-2V	2	EA	PP			
15	20-03043	Ring nut M39x3, L.23	2	EA	ABS			
16	20-03025	Side cover, XD/E-Red	2	EA	PP			
17	70421	Flange bolt M8 x 15	8	EA				
18	70410	Flat head cap screw M4 x 10	1	EA				
19	20-06032	Tank support, 2V. XE	1	EA	SS400			
20	20-03032	Handle, optima XD/E	1	EA	HDPE			
21	20-06024	Handle support, XD/E	1	EA	SS400			
23	14-40036	Truss head tapping screw, M6 X 20	4	EA				
24	70385	Nut spring	2	EA				
25	70379	Washer D.5.5-16	6	EA				
26	14-40038	Pan head tapping screw, M5 X 16, II	2	EA				
27	14-40037	Truss head tapping screw, M6 X 30	2	EA				
28	20-03036	Handle cap, Red-2V	2	EA	PP			
29	70500	Screw T / T M4.8 x 20	2	EA				
30	24-40040	Flange bolt M8 X 60	2	EA				
31	14-40039	Flange bolt M6 X 20	2	EA				
35	71060	Ground chain, zinc	0.2	M				
36	70585	Turning wheel with brake D.125	2	EA				
37	14-40045	Pan head sems bolt M6 X 10	4	EA				
40	70419	Flange bolt M6 x 15	4	EA				
42	14-41018	Plain washer M24	2	EA				
A	80-05100	Water tank Cap, Blue XD/E	2	SET				
B	80-05105	Water tank(L) assembly, XE	1	SET				
C	80-05104	Water tank(R) assembly, XE	1	SET				
E	80-03045	Top Cover assy, XE-Red	1	SET				

TABLE NO. 002

OPTIONAL PARTS

*UNIT FOR USA

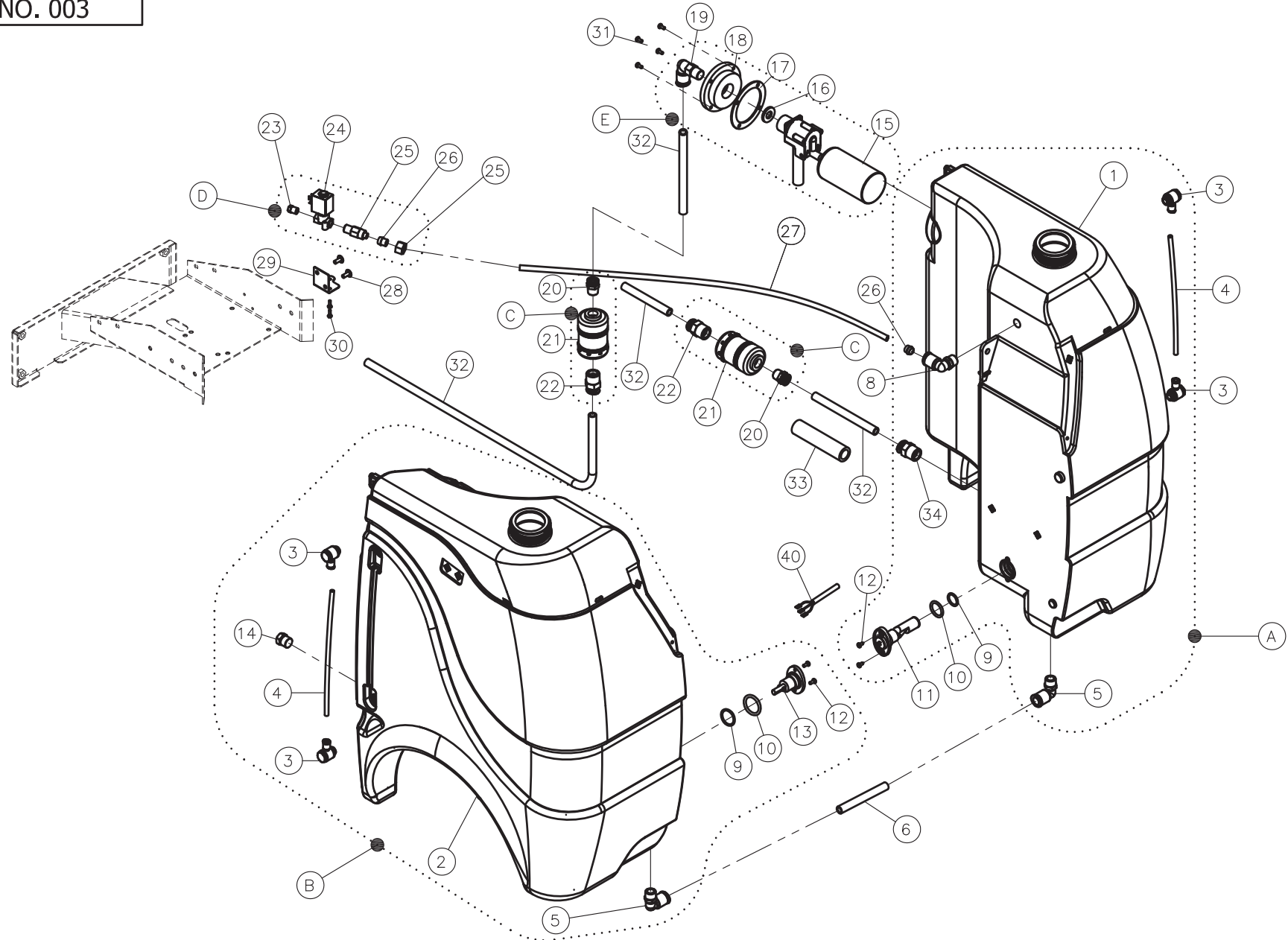


DRAFTED BY	JD.LEE	CHECKED BY	YM.LEE	APPROVED BY	TW.KWON	DRW. DATE	2018.01.01						
 SJE Corporation, Ltd. Global Leader of Green solutions						TITLE				FEED WATER LINE			
						MODEL		SCALE		SIZE		OPTIMA XE	

TABLE NO. 002 : FEED WATER LINE

REF NO.	PART NO.	DESCRIPTION	Q'TY	UNIT	MATERIAL	FROM	TO	REPLACED NO.
1	20-00002	Valve support bracket, XD/E	1	EA	SS400			
2	22-21010	Bite connector elbow 10x1/4, sus	1	EA	SUS			
3	22-20079	Nipple PF1/2M - PT3/8F L.47	1	EA	BRASS			
4	70853	Ring nut 1/2 x 8 CH30, Setscrew Tab	1	EA	BRASS			
5	70912	O-ring D.19.5 x 2.5, P15	2	EA	NBR			
6	70615	Plug G1/2F - 10.5 for Coupling	1	EA	BRASS			
7	70913	O-ring D.15.5 x 2.5 U111	1	EA	NBR			
8	70612	Couplings D. 1/2-5/8 PTC	1	EA	PTC			
9	70320	Cable gland PG25	1	EA				
10	32-23029	Steam ball valve, 1/4, red, R250D	2	EA				
11	A71662	Steam outlet 3-way assembly 5V.	1	EA	BRASS			
12	70803	Elbow nipple PT1/4MF, brass	1	EA	BRASS			
13	32-23030	Steam ball valve, 1/4, blue, R250D	1	EA				
14	21-12001	Moisture valve bracket, XD/E	1	EA	SS400			
15	70421	Flange bolt M8 x 15	3	EA				
17	71261	One touch nipple PC1203 (3/8)	2	EA				
18	70987	Cables with connector, water feeding motor	1	EA				
20	71238	Feedwater Motor 230V 50/60Hz	1	EA				
21	70133	Feedwater pump MO204V viton	1	EA				
22	70797	Elbow nipple PT3/8M, brass	1	EA	BRASS			
23	70252	Non-return valve, G3/8F, 150 °C	2	EA	BRASS			
24	32-20041	Two touch elbow 10 x 8, PT3/8M	2	EA				
25	20-06030	Motor bracket, 2V. XD/E	1	EA	SS400			
26	70419	Flange bolt M6 x 15	8	EA				
27	70395	Flange nut M6	4	EA				
28	71298	Bite connector BMC 10x1/4	2	EA	BRASS			
29	71291	Teflon tube D.10 x 8	1	M				
30	70829	Nipple PF3/8M - PT1/4M, brass	2	EA	BRASS			
31	71362	Tee-nipple PT1/4F - PT3/8M - PT1/4M	1	EA	BRASS			
32	32-20069	Y-strainer 1/4F-F - 1/4F	1	EA	BRASS			
33	22-20083	Nipple M16P1.5 - PF1/4M, brass	1	EA	BRASS			
34	70839	Ring nipple PT1/4M - M8, brass	3	EA	BRASS			
36	32-23051	Drain valve, 1/4, R251X	1	EA				
37	70850	Hose fitting PT1/4M - 9.5 elbow, brass	1	EA	BRASS			
39	14-40016	Truss Head Screw M4x10, STS304	2	EA				
40	82-29420	Water Line sus pipe assy 2V. D.10, L233 XD/E	1	EA				
41	82-22033	Water Line sus pipe assy 2V D.10, L182, XE	1	EA				
42	82-29310	Copper pipe D.4 L148 humidification, XD/E	1	EA				
43	82-29309	Copper pipe D.4 L238 humidification, XD/E	1	EA				
44	14-43018	Gasket D.27 x 14 x 2.5t, NBR	(1)	EA				
45	71365	Swivel nipple PF3/4F - PF1/2M, USA	(1)	EA				
46	70856	Socket PF1/2F, L.20	(1)	EA				
A	82-20080	Water inlet nipple assy 3V.	1	SET				
B	82-23032	Steam outlet valve PF3/8 2V.	2	SET				
C	82-23039	Water pump assembly, XD/E	1	SET				
D	82-20068	Water line assembly. XD/E	1	SET				
F	82-23048	Water drain valve assy 2V, XD/E	1	SET				
G	82-23044	Moisture valve assembly ,XD/E	1	SET				
E	A71619	Garden hose adapter 3/4 "	(1)	SET				

TABLE NO. 003

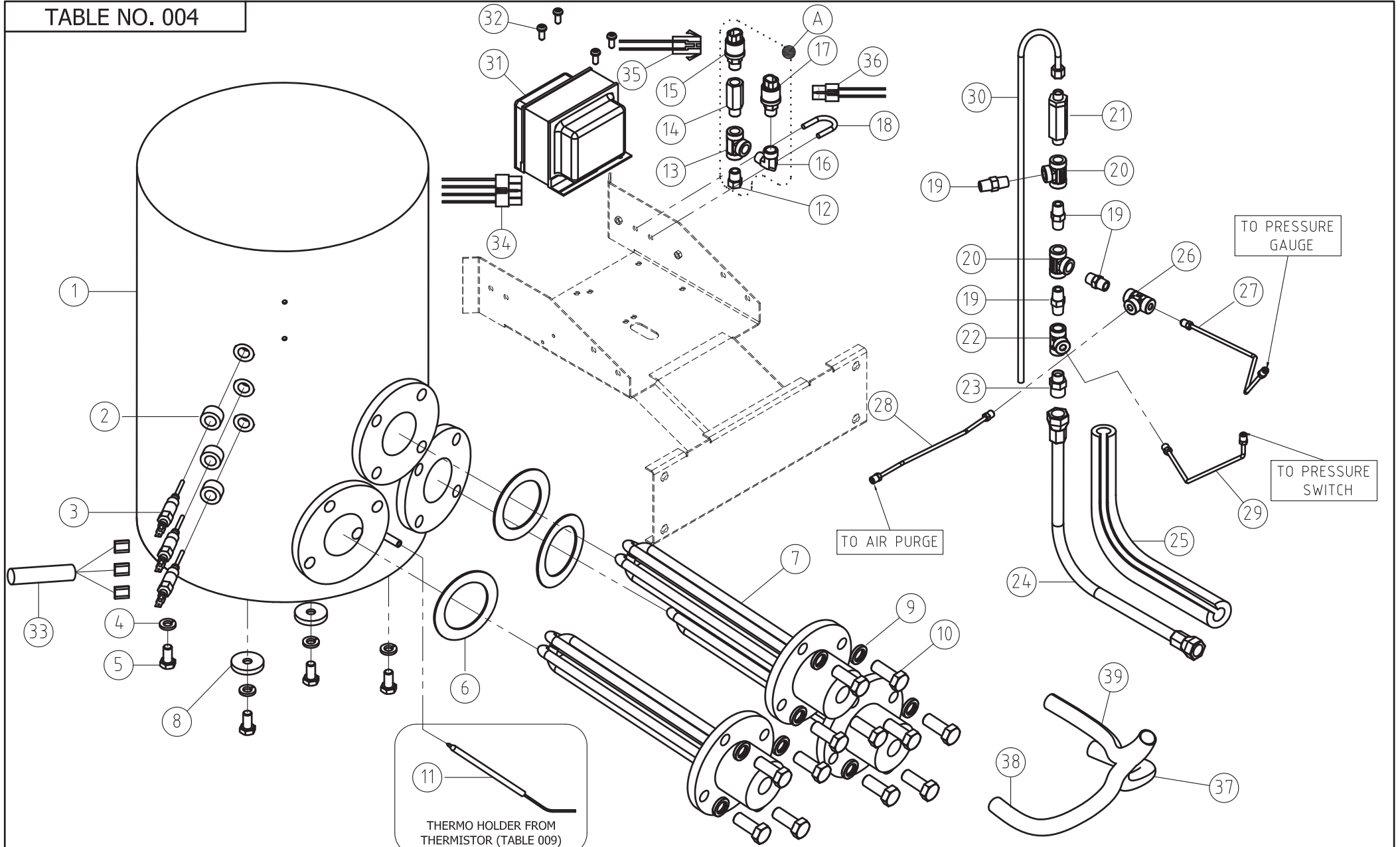


DRAFTED BY	CHECKED BY	APPROVED BY	DRW. DATE
JD.LEE	YM.LEE	TW.KWON	2018.01.01
 SJE Corporation, Ltd. Global Leader of Green solutions			TITLE
			TANK ASSEMBLY
MODEL	SCALE	SIZE	
OPTIMA XE	1: 6	A4	

TABLE NO. 003 : TANK ASSEMBLY

REF NO.	PART NO.	DESCRIPTION	Q'TY	UNIT	MATERIAL	FROM	TO	REPLACED NO.
1	20-05009	Water tank XD/E +1/2, D.60	1	EA				
2	20-05005	Tank, optima XD/E	1	EA				
3	12-21008	One Touch Nipple GPH08G02(M)	4	EA				
4	12-22035	Nylon tube D.8 x 6 x 1000(mm)	0.5	M				
5	12-21005	One Touch Nipple GPL16G03 EPNI	2	EA				
6	70650	U-Tube, D.16x12	0.05	M				
8	12-20066	Two touch elbow 8 x 6, PT1/4M	1	EA				
9	70917	O-ring D.17.12 x 2.62 U115	2	EA				
10	70911	O-ring D.21.89x2.62 U118	2	EA				
11	70171	Floater level switch	1	EA				
12	14-40015	SCREW TCB-TC 3.5x12 II	4	EA				
13	21-19001	Tank hole Plug 2V.	1	EA				
14	70598	Plug G1/4, brass	1	EA				
15	32-23014	Floater 3/4, DN20BX	1	EA				
16	70362	Gasket D.12x25x3 NBR	1	EA				
17	14-43006	Gasket D.82x60.2x3, NBR	1	EA				
18	71251	Float adapter D.80-60, G3/4-PT3/8	1	EA				
19	71254	One touch nipple PL1203 (3/8)	1	EA				
20	71261	One touch nipple PC1203 (3/8)	2	EA				
21	71370	Water filter 3/8 - 1/2, mesh	2	EA				
22	71256	One touch nipple PC1204 (1/2)	2	EA				
23	70868	Joint body, PD4	1	EA				
24	71231	Electronic valve JYZ-3E 230V, air purge	1	EA				
25	71360	Two touch fitting C4N8X6-PT1/8	1	EA				
26	71361	Sleeve D.8 for tube fitting	2	EA				
27	70640	Teflon tube D.8 x 6	1	EA				
28	70416	Truss head screw M5 x 12	2	EA				
29	70487	Air valve bracket, sus	1	EA				
30	70411	Truss head screw M4 x 10	2	EA				
31	70500	Screw T / T M4.8 x 20	4	EA				
32	71257	Water feeding U-Tube, D.12x8	0.5	M				
33	70634	Silicon tube 15 x 19, black 1M	0.25	M				
34	12-21012	One Touch Nipple PC12G04	1	EA				
40	70157	Cables for floater level switch	1	EA				
A	80-05105	Water tank(L) assembly, XE	1	SET				
B	80-05104	Water tank(R) assembly, XE	1	SET				
C	82-24005	Water filter assembly, mesh	2	SET				
D	A71711	Air purge valve assembly 220/230V 2V.	1	SET				
E	82-23041	Water Float assembly, XD/E	1	SET				

TABLE NO. 004

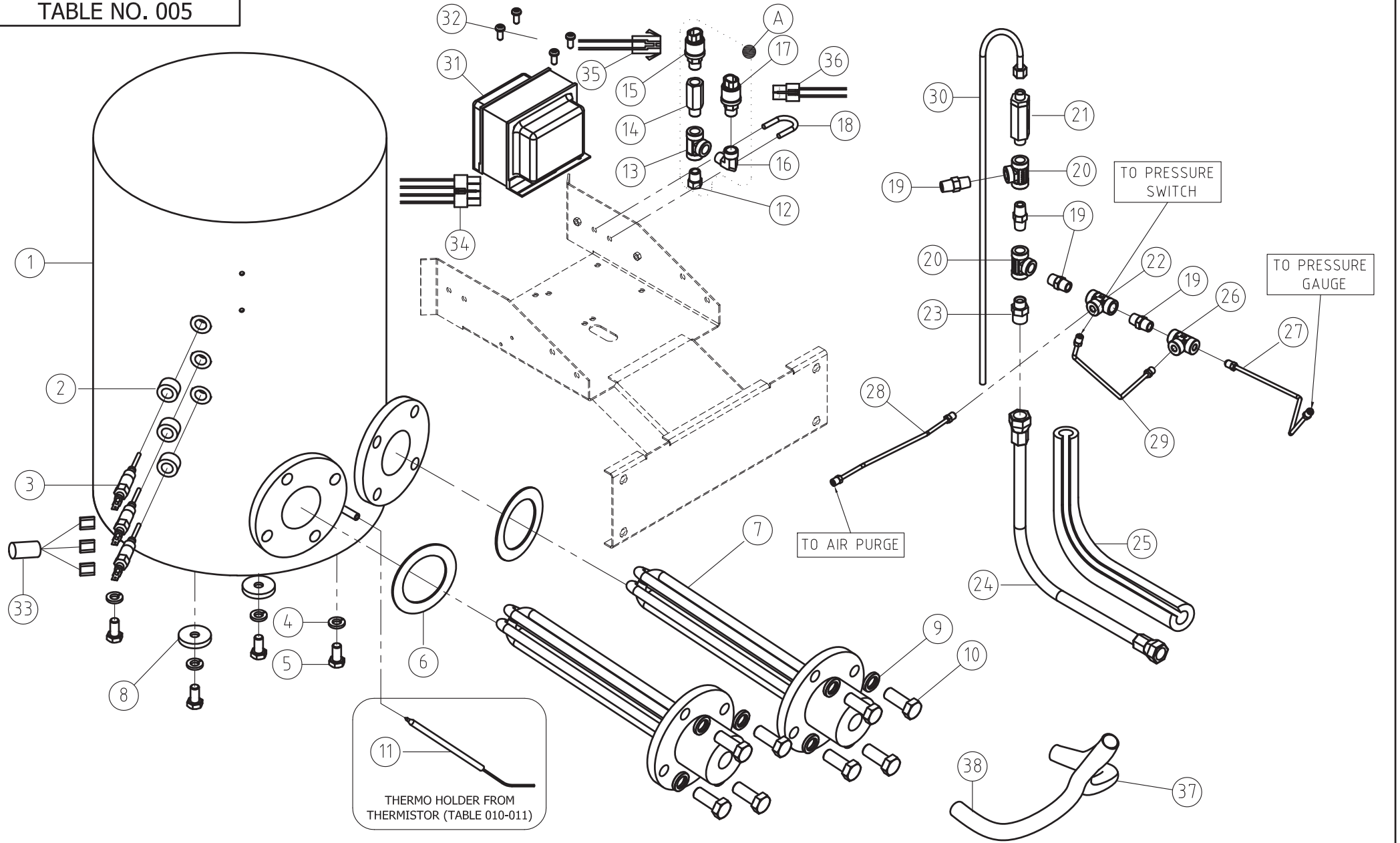


DRAFTED BY	JD.LEE	CHECKED BY	YM.LEE	APPROVED BY	TW.KWON	DRW. DATE	2018.01.01
 SJE Corporation, Ltd. Global Leader of Green solutions						TITLE	STEAM GENERATOR 27K
						MODEL	OPTIMA XE
						SCALE	1: 4
						SIZE	A4

TABLE NO. 004 : STEAM GENERATOR (27K)

REF NO.	PART NO.	DESCRIPTION	Q'TY	UNIT	MATERIAL	FROM	TO	REPLACED NO.
1	21-10021	Electric steam vessel, 3h 19.5L 5V	1	EA	STS			
2	70635	Foam Silicon tube 12 x 24, brown 1M	0.09	M	SILICON			
3	70175	Water probe sensor	3	EA				
4	70377	Spring washer M10	4	EA				
5	70423	Hex. bolt M10 x 20	4	EA				
6	70355	Packing D.90 x 62, Teflon	3	EA	PTFE			
7	70460	Electric heater 9KW, 3ph 230/400V	3	EA				
7	70469	Electric heater 9KW, 3ph 415V	(3)	EA				
7	70471	Electric heater 9KW, 3ph 440V	(3)	EA				
7	70470	Electric heater 9KW, 3ph 460V	(3)	EA				
7	70478	Electric heater 9KW, 3ph 480V	(3)	EA				
7	23-34012	Electric heater 9KW, 3ph 600V	(3)	EA				
8	14-41015	Plain washer M10X40X3t , sus	2	EA	STS			
9	70383	Spring washer M14	12	EA				
10	70424	Hex. bolt M14 x 35	12	EA				
11	71380	Thermistor temp sensor L.1,350mm	1	EA				
12	70839	Ring nipple PT1/4M - M8, brass	1	EA	BRASS			
13	70785	Tee-nipple PT1/4F, brass	1	EA	BRASS			
14	71268	Nipple PT1/4 M-F L.45, brass	1	EA	BRASS			
15	70082	Pressure switch, Auto reset, N/C, 9.5/8 bar	1	EA				
16	70803	Elbow nipple PT1/4MF, brass	1	EA	BRASS			
17	70081	Pressure switch, Auto reset, N/C, 8.5/7 bar	1	EA				
18	71352	U-bolt 1/4 x 10A, sus	1	EA	STS			
19	70821	Nipple PT1/4M, sus	4	EA	STS			
20	70786	Tee-nipple PT1/4F, sus316	2	EA	STS			
21	22-23046	Safety valve 9.5bar 1/4M-M16 2V.	1	EA				
22	70788	Tee-nipple PT1/4F - M8 - PT1/4F, brass	1	EA	BRASS			
23	70829	Nipple PF3/8M - PT1/4M, brass	1	EA	BRASS			
24	71287	Flexible Steam pipe L.580	1	EA				
25	70636	Foam Silicon tube 22 x 32, brown 1M	0.5	M	SILICON			
26	70789	Tee-nipple 1/4F - M8 x 2, brass	1	EA	BRASS			
27	82-29612	Copper pipe D.4 L.570, Pressure gauge, XE 3h	1	EA	COPPER			
28	A71862	Copper pipe D.4 L.340, air valve, 3h, 3V.	1	EA	COPPER			
29	A71852	Copper pipe D.4 L.165, pressure s/w, 3h, 3V.	1	EA	COPPER			
30	82-29418	Drain Out D.10 SUS, L685 XE 3H	1	EA	STS			
31	71175	Transformer 400-230V 50/60Hz 250VA with Connector	1	EA				
31	23-32024	Transformer 415-230V 50/60Hz 250VA with Connector	(1)	EA				
31	71176	Transformer 440-230V 50/60Hz 250VA with Connector	(1)	EA				
31	71177	Transformer 460-230V 50/60Hz 250VA with Connector	(1)	EA				
31	71178	Transformer 480-230V 50/60Hz 250VA with Connector	(1)	EA				
31	23-32009	Transformer 600-230V 50/60Hz 250VA with Connector	(1)	EA				
32	70416	Truss head screw M5 x 12	4	EA				
33	70981	Cables for water probe sensor, EST/XE	1	EA				
34	70988	Cables with connector, transformer	1	EA				
35	70983	Cables with connector, pressure switch P1	1	EA				
36	70984	Cables with connector, pressure switch P2	1	EA				
37	70312	Teflon Cable 3.5 ^{mm} , Blue	1.5	M				
38	70313	Teflon Cable 3.5 ^{mm} , Red	1.5	M				
39	70314	Teflon Cable 3.5 ^{mm} , white	1.5	M				
A	A71683	Pressure switch line assembly	1	SET				

TABLE NO. 005

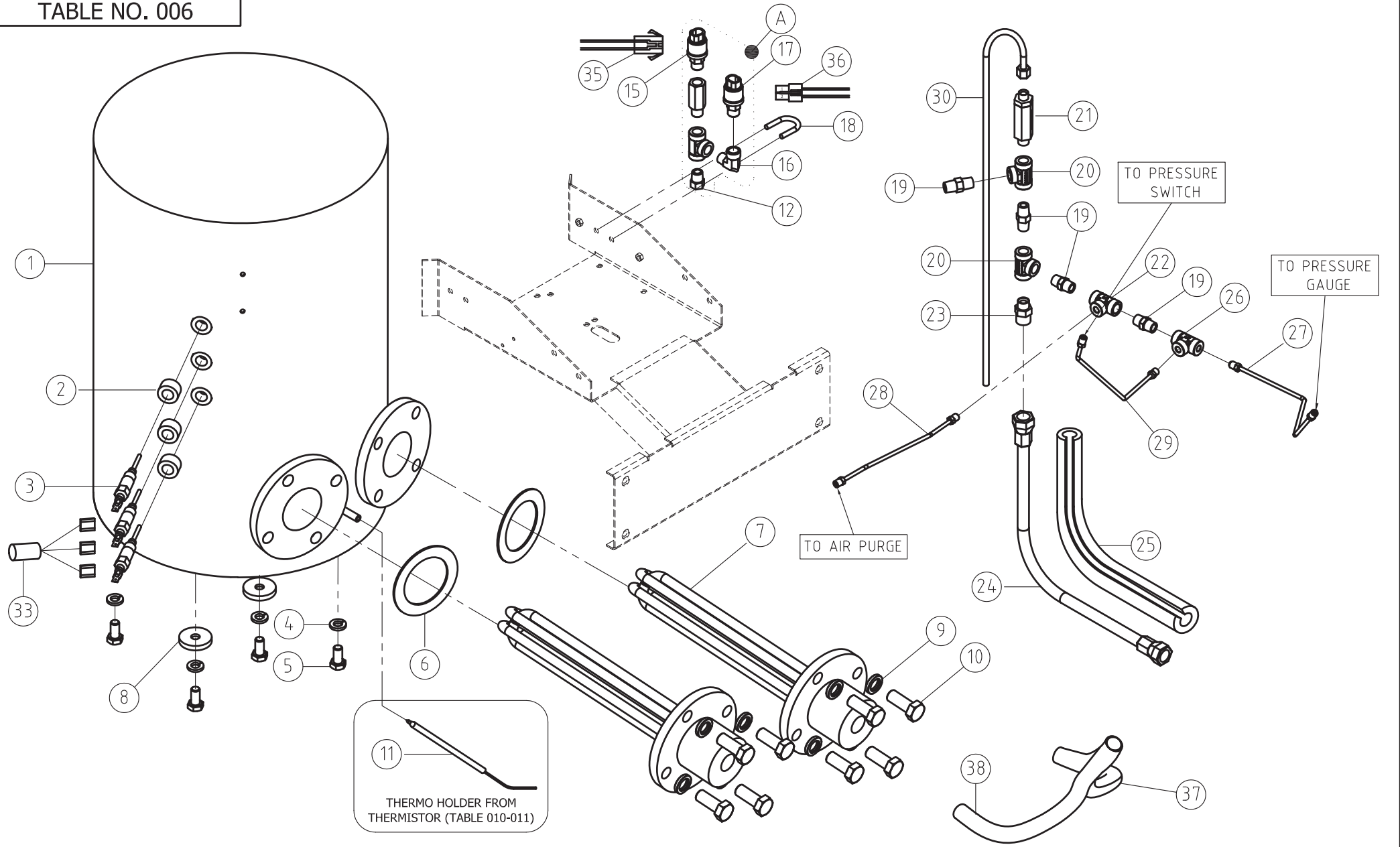


DRAFTED BY	CHECKED BY	APPROVED BY	DRW. DATE
JD.LEE	YM.LEE	TW.KWON	2018.01.01
 SJE Corporation, Ltd. Global Leader of Green solutions			TITLE STEAM GENERATOR (18K)
MODEL OPTIMA XE		SCALE 1: 4	SIZE A4

TABLE NO. 005 : STEAM GENERATOR (18K)

REF NO.	PART NO.	DESCRIPTION	Q'TY	UNIT	MATERIAL	FROM	TO	REPLACED NO.
1	21-10022	Electric steam vessel, 2h 14.5L 5V	1	EA	STS			
2	70635	Foam Silicon tube 12 x 24, brown 1M	0.075	M	SILICON			
3	70175	Water probe sensor	3	EA				
4	70377	Spring washer M10	4	EA				
5	70423	Hex. bolt M10 x 20	4	EA				
6	70355	Packing D.90 x 62, Teflon	2	EA	PTFE			
7	70460	Electric heater 9KW, 3ph 230/400V	2	EA				
7	70462	Electric heater 9KW, 3ph 208V	(2)	EA				
7	70469	Electric heater 9KW, 3ph 415V	(2)	EA				
7	70471	Electric heater 9KW, 3ph 440V	(2)	EA				
7	70470	Electric heater 9KW, 3ph 460V	(2)	EA				
7	70478	Electric heater 9KW, 3ph 480V	(2)	EA				
7	23-34012	Electric heater 9KW, 3ph 600V	(2)	EA				
8	14-41015	Plain washer M10X40X3t , sus	2	EA				
9	70383	Spring washer M14	8	EA				
10	70424	Hex. bolt M14 x 35	8	EA				
11	71380	Thermistor temp sensor L.1,350mm	1	EA				
12	70839	Ring nipple PT1/4M - M8, brass	1	EA	BRASS			
13	70785	Tee-nipple PT1/4F, brass	1	EA	BRASS			
14	71268	Nipple PT1/4 M-F L.45, brass	1	EA	BRASS			
15	70082	Pressure switch, Auto reset, N/C, 9.5/8 bar	1	EA				
16	70803	Elbow nipple PT1/4MF, brass	1	EA	BRASS			
17	70081	Pressure switch, Auto reset, N/C, 8.5/7 bar	1	EA				
18	71352	U-bolt 1/4 x 10A, sus	1	EA	STS			
19	70821	Nipple PT1/4M, sus	4	EA	STS			
20	70786	Tee-nipple PT1/4F, sus316	2	EA	STS			
21	22-23046	Safety valve 9.5bar 1/4M-M16 2V.	1	EA				
22	70788	Tee-nipple PT1/4F - M8 - PT1/4F, brass	1	EA	BRASS			
23	70829	Nipple PF3/8M - PT1/4M, brass	1	EA	BRASS			
24	71281	Flexible Steam pipe L.540	1	EA				
25	70636	Foam Silicon tube 22 x 32, brown 1M	0.5	M	SILICON			
26	70789	Tee-nipple 1/4F - M8 x 2, brass	1	EA	BRASS			
27	82-29614	Copper pipe D.4 L.600, Pressure gauge, XE 2h	1	EA	COPPER			
28	A71861	Copper pipe D.4 L.408, air valve, 2h, 3V.	1	EA	COPPER			
29	A71851	Copper pipe D.4 L.180, pressure s/w, 2h, 3V.	1	EA	COPPER			
30	82-29419	Drain Out D.10 SUS, L600 XE 2H	1	EA	SUS			
31	71175	Transformer 400-230V 50/60Hz 250VA with Connector	1	EA				
31	23-32024	Transformer 415-230V 50/60Hz 250VA with Connector	(1)	EA				
31	71176	Transformer 440-230V 50/60Hz 250VA with Connector	(1)	EA				
31	71177	Transformer 460-230V 50/60Hz 250VA with Connector	(1)	EA				
31	71178	Transformer 480-230V 50/60Hz 250VA with Connector	(1)	EA				
31	23-32009	Transformer 600-230V 50/60Hz 250VA with Connector	(1)	EA				
31	71173	Transformer 208-230V 50/60Hz 250VA with connector	(1)	EA				
32	70416	Truss head screw M5 x 12	4	EA				
33	70981	Cables for water probe sensor, EST/XE	1	EA				
34	70988	Cables with connector, transformer	1	EA				
35	70983	Cables with connector, pressure switch P1	1	EA				
36	70984	Cables with connector, pressure switch P2	1	EA				
37	70312	Teflon Cable 3.5mm ² , Blue	1.5	M				
38	70313	Teflon Cable 3.5mm ² , Red	1.5	M				
A	A71683	Pressure switch line assembly	1	SET				

TABLE NO. 006

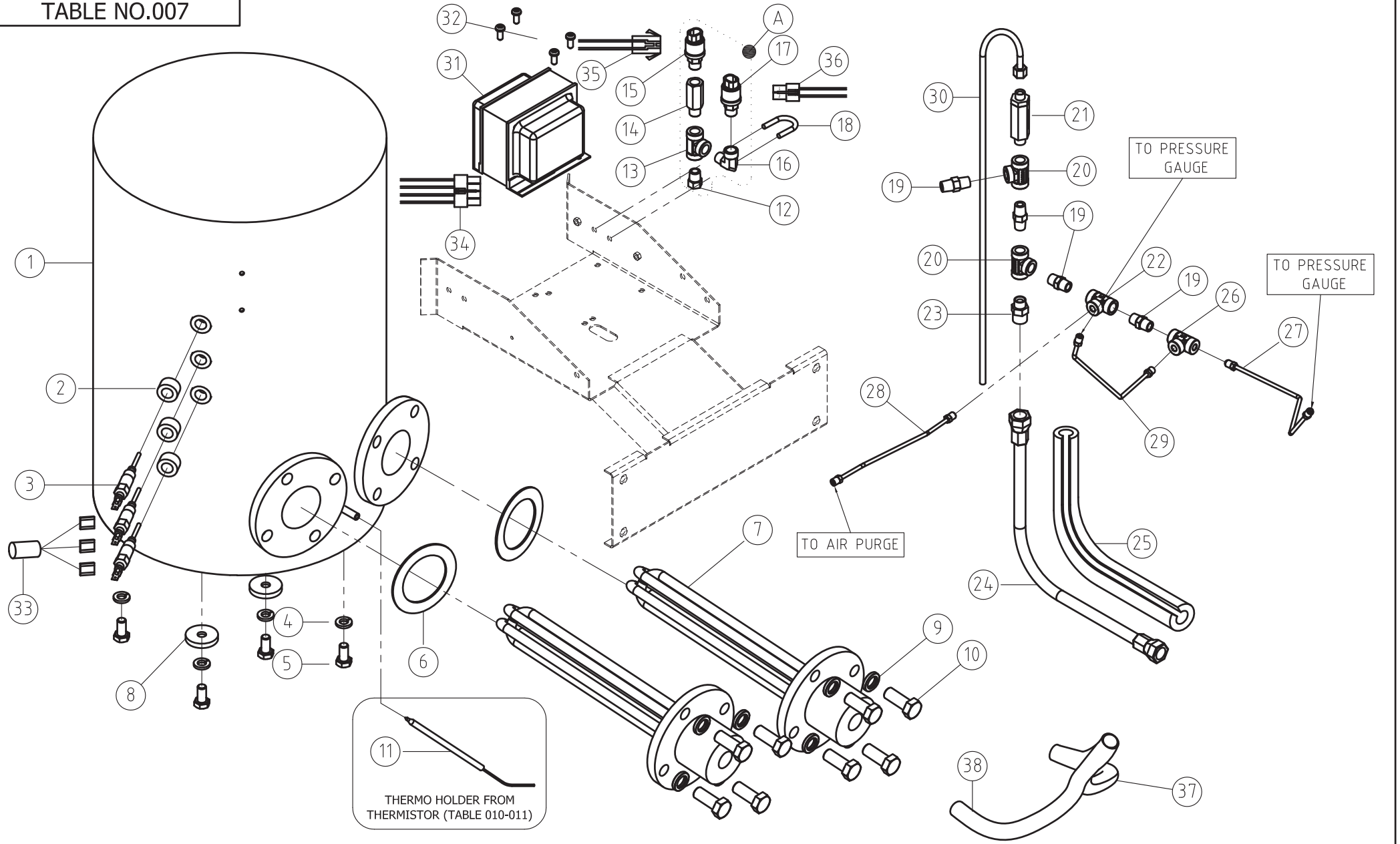


DRAFTED BY	CHECKED BY	APPROVED BY	DRW. DATE
JD.LEE	YM.LEE	TW.KWON	2018.01.01
 SJE Corporation, Ltd. Global Leader of Green solutions			TITLE STEAM GENERATOR (18K, 230V)
MODEL OPTIMA XE		SCALE 1: 4	SIZE A4

TABLE NO. 006 : STEAM GENERATOR (18K, 230V)

REF NO.	PART NO.	DESCRIPTION	Q'TY	UNIT	MATERIAL	FROM	TO	REPLACED NO.
1	21-10022	Electric steam vessel, 2h 14.5L 5V	1	EA	STS			
2	70635	Foam Silicon tube 12 x 24, brown 1M	0.075	M	SILICON			
3	70175	Water probe sensor	3	EA				
4	70377	Spring washer M10	4	EA				
5	70423	Hex. bolt M10 x 20	4	EA				
6	70355	Packing D.90 x 62, Teflon	2	EA	PTFE			
7	70460	Electric heater 9KW, 3ph 230/400V	2	EA				
8	14-41015	Plain washer M10X40X3t , sus	2	EA				
9	70383	Spring washer M14	8	EA				
10	70424	Hex. bolt M14 x 35	8	EA				
11	71380	Thermistor temp sensor L.1,350mm	1	EA				
12	70839	Ring nipple PT1/4M - M8, brass	1	EA	BRASS			
13	70785	Tee-nipple PT1/4F, brass	1	EA	BRASS			
14	71268	Nipple PT1/4 M-F L.45, brass	1	EA	BRASS			
15	70082	Pressure switch, Auto reset, N/C, 9.5/8 bar	1	EA				
16	70803	Elbow nipple PT1/4MF, brass	1	EA	BRASS			
17	70081	Pressure switch, Auto reset, N/C, 8.5/7 bar	1	EA				
18	71352	U-bolt 1/4 x 10A, sus	1	EA	STS			
19	70821	Nipple PT1/4M, sus	4	EA	STS			
20	70786	Tee-nipple PT1/4F, sus316	2	EA	STS			
21	22-23046	Safety valve 9.5bar 1/4M-M16 2V.	1	EA				
22	70788	Tee-nipple PT1/4F - M8 - PT1/4F, brass	1	EA	BRASS			
23	70829	Nipple PF3/8M - PT1/4M, brass	1	EA	BRASS			
24	71281	Flexible Steam pipe L.540	1	EA				
25	70636	Foam Silicon tube 22 x 32, brown 1M	0.5	M	SILICON			
26	70789	Tee-nipple 1/4F - M8 x 2, brass	1	EA	BRASS			
27	82-29614	Copper pipe D.4 L.600, Pressure gauge, XE 2h	1	EA	COPPER			
28	A71861	Copper pipe D.4 L.408, air valve, 2h, 3V.	1	EA	COPPER			
29	A71851	Copper pipe D.4 L.180, pressure s/w, 2h, 3V.	1	EA	COPPER			
30	82-29419	Drain Out D.10 SUS, L600 XE 2H	1	EA	SUS			
33	70981	Cables for water probe sensor, EST/XE	1	EA				
35	70983	Cables with connector, pressure switch P1	1	EA				
36	70984	Cables with connector, pressure switch P2	1	EA				
37	70312	Teflon Cable 3.5mm ² , Blue	1.5	M				
38	70313	Teflon Cable 3.5mm ² , Red	1.5	M				
A	A71683	Pressure switch line assembly	1	SET				

TABLE NO.007



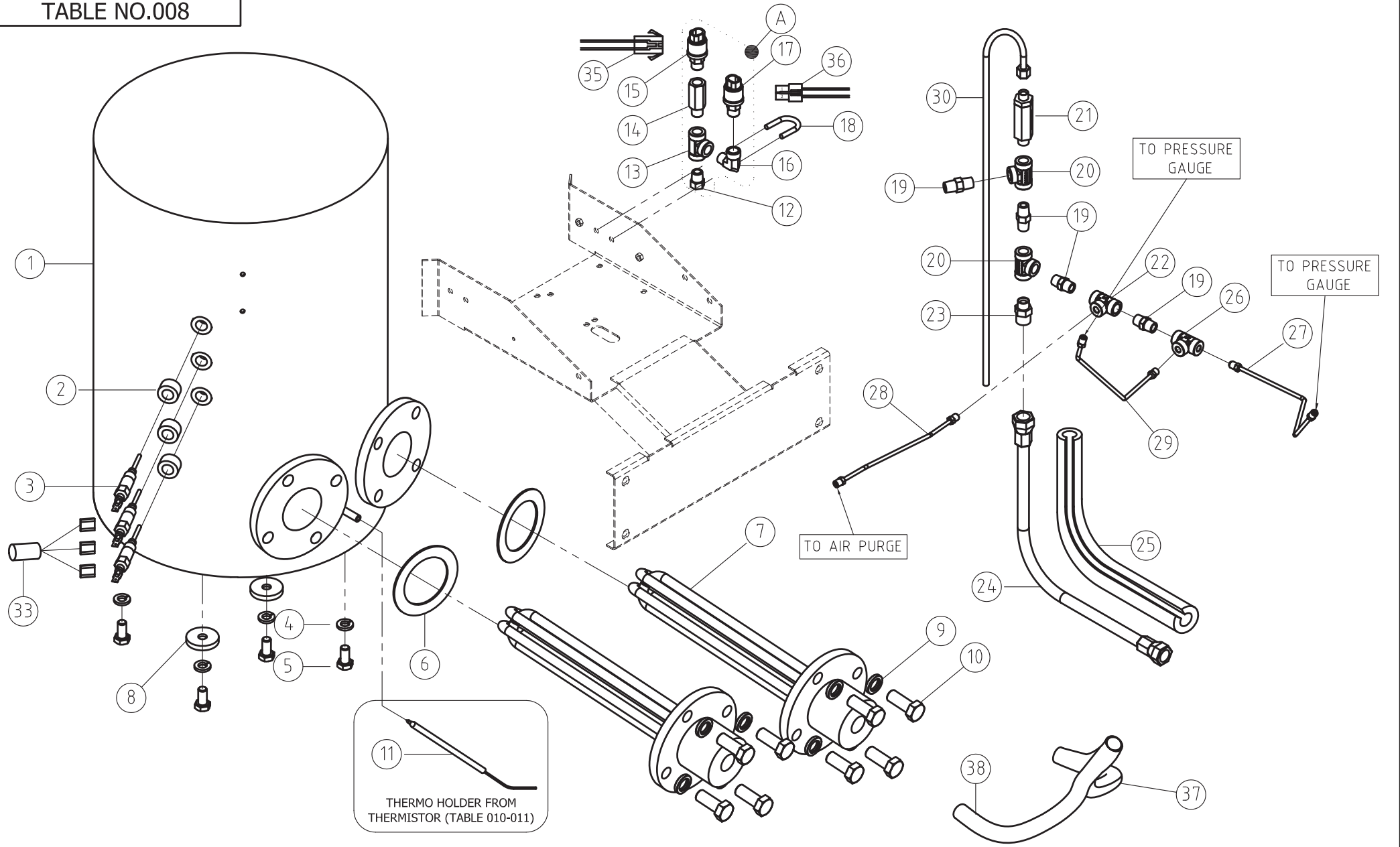
DRAFTED BY	CHECKED BY	APPROVED BY	DRW. DATE
JD.LEE	YM.LEE	TW.KWON	2018.01.01
TITLE			STEAM GENERATOR (12K)
MODEL		SCALE	SIZE
OPTIMA XE		1: 4	A4



TABLE NO. 007 : STEAM GENERATOR (12K)

REF NO.	PART NO.	DESCRIPTION	Q'TY	UNIT	MATERIAL	FROM	TO	REPLACED NO.
1	21-10022	Electric steam vessel, 2h 14.5L 5V	1	EA	STS			
2	70635	Foam Silicon tube 12 x 24, brown 1M	0.075	M	SILICON			
3	70175	Water probe sensor	3	EA				
4	70377	Spring washer M10	4	EA				
5	70423	Hex. bolt M10 x 20	4	EA				
6	70355	Packing D.90 x 62, Teflon	2	EA	PTFE			
7	70459	Electric heater 6KW, 3ph 230/400V	2	EA				
7	70461	Electric heater 6KW, 3ph 208V	(2)	EA				
7	70464	Electric heater 6KW, 3ph 415V	(2)	EA				
7	70475	Electric heater 6KW, 3ph 440V	(2)	EA				
7	70468	Electric heater 6KW, 3ph 460V	(2)	EA				
7	70479	Electric heater 6KW, 3ph 480V	(2)	EA				
7	23-34014	Electric heater 6KW, 3ph 600V	(2)	EA				
8	14-41015	Plain washer M10X40X3t , sus	2	EA	STS			
9	70383	Spring washer M14	8	EA				
10	70424	Hex. bolt M14 x 35	8	EA				
11	71380	Thermistor temp sensor L.1,350mm	1	EA				
12	70839	Ring nipple PT1/4M - M8, brass	1	EA	BRASS			
13	70785	Tee-nipple PT1/4F, brass	1	EA	BRASS			
14	71268	Nipple PT1/4 M-F L.45, brass	1	EA	BRASS			
15	70082	Pressure switch, Auto reset, N/C, 9.5/8 bar	1	EA				
16	70803	Elbow nipple PT1/4MF, brass	1	EA	BRASS			
17	70081	Pressure switch, Auto reset, N/C, 8.5/7 bar	1	EA				
18	71352	U-bolt 1/4 x 10A, sus	1	EA	STS			
19	70821	Nipple PT1/4M, sus	4	EA	STS			
20	70786	Tee-nipple PT1/4F, sus316	2	EA	STS			
21	22-23046	Safety valve 9.5bar 1/4M-M16 2V.	1	EA				
22	70788	Tee-nipple PT1/4F - M8 - PT1/4F, brass	1	EA	BRASS			
23	70829	Nipple PF3/8M - PT1/4M, brass	1	EA	BRASS			
24	71281	Flexible Steam pipe L.540	1	EA				
25	70636	Foam Silicon tube 22 x 32, brown 1M	0.5	M	SILICON			
26	70789	Tee-nipple 1/4F - M8 x 2, brass	1	EA	BRASS			
27	82-29614	Copper pipe D.4 L.600, Pressure gauge, XE 2h	1	EA	COPPER			
28	A71861	Copper pipe D.4 L.408, air valve, 2h, 3V.	1	EA	COPPER			
29	A71851	Copper pipe D.4 L.180, pressure s/w, 2h, 3V.	1	EA	COPPER			
30	82-29419	Drain Out D.10 SUS, L600 XE 2H	1	EA	STS			
31	71175	Transformer 400-230V 50/60Hz 250VA with Connector	1	EA				
31	23-32024	Transformer 415-230V 50/60Hz 250VA with Connector	(1)	EA				
31	71176	Transformer 440-230V 50/60Hz 250VA with Connector	(1)	EA				
31	71177	Transformer 460-230V 50/60Hz 250VA with Connector	(1)	EA				
31	71178	Transformer 480-230V 50/60Hz 250VA with Connector	(1)	EA				
31	23-32009	Transformer 600-230V 50/60Hz 250VA with Connector	(1)	EA				
31	71173	Transformer 208-230V 50/60Hz 250VA with connector	(1)	EA				
32	70416	Truss head screw M5 x 12	4	EA				
33	70981	Cables for water probe sensor, EST/XE	1	EA				
34	70988	Cables with connector, transformer	1	EA				
35	70983	Cables with connector, pressure switch P1	1	EA				
36	70984	Cables with connector, pressure switch P2	1	EA				
37	70312	Teflon Cable 3.5mm ² , Blue	1.5	M				
38	70313	Teflon Cable 3.5mm ² , Red	1.5	M				
A	A71683	Pressure switch line assembly	1	SET				

TABLE NO.008

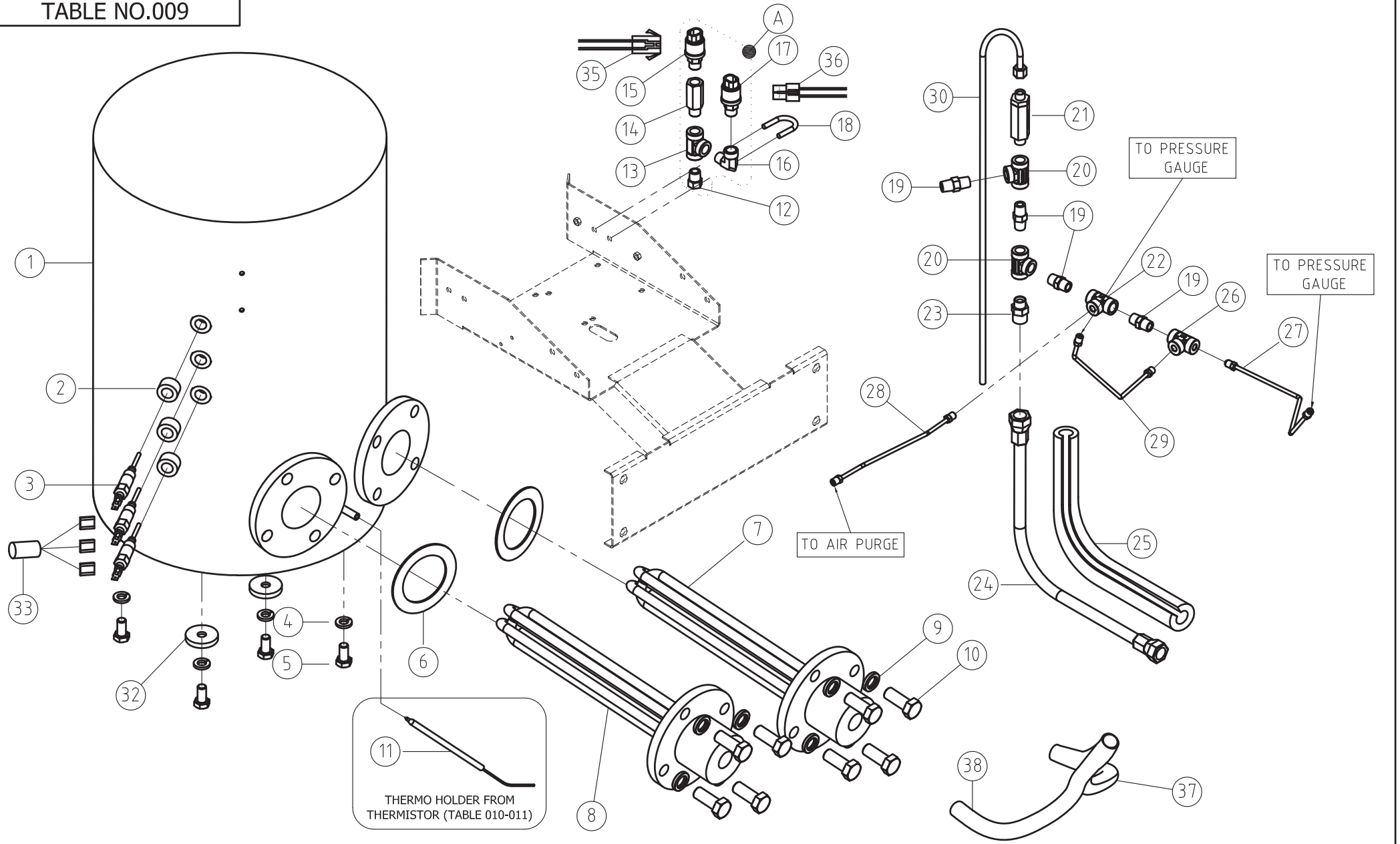


DRAFTED BY	CHECKED BY	APPROVED BY	DRW. DATE
JD.LEE	YM.LEE	TW.KWON	2018.01.01
 SJE Corporation, Ltd. Global Leader of Green solutions			TITLE STEAM GENERATOR (12K, 230V)
MODEL OPTIMA XE		SCALE 1: 4	SIZE A4

TABLE NO. 008 : STEAM GENERATOR (12K, 230V)

REF NO.	PART NO.	DESCRIPTION	Q'TY	UNIT	MATERIAL	FROM	TO	REPLACED NO.
1	21-10022	Electric steam vessel, 2h 14.5L 5V	1	EA	STS			
2	70635	Foam Silicon tube 12 x 24, brown 1M	0.075	M	SILICON			
3	70175	Water probe sensor	3	EA				
4	70377	Spring washer M10	4	EA				
5	70423	Hex. bolt M10 x 20	4	EA				
6	70355	Packing D.90 x 62, Teflon	2	EA	PTFE			
7	70459	Electric heater 6KW, 3ph 230/400V	2	EA				
8	14-41015	Plain washer M10X40X3t , sus	2	EA	STS			
9	70383	Spring washer M14	8	EA				
10	70424	Hex. bolt M14 x 35	8	EA				
11	71380	Thermistor temp sensor L.1,350mm	1	EA				
12	70839	Ring nipple PT1/4M - M8, brass	1	EA	BRASS			
13	70785	Tee-nipple PT1/4F, brass	1	EA	BRASS			
14	71268	Nipple PT1/4 M-F L.45, brass	1	EA	BRASS			
15	70082	Pressure switch, Auto reset, N/C, 9.5/8 bar	1	EA				
16	70803	Elbow nipple PT1/4MF, brass	1	EA	BRASS			
17	70081	Pressure switch, Auto reset, N/C, 8.5/7 bar	1	EA				
18	71352	U-bolt 1/4 x 10A, sus	1	EA	STS			
19	70821	Nipple PT1/4M, sus	4	EA	STS			
20	70786	Tee-nipple PT1/4F, sus316	2	EA	STS			
21	22-23046	Safety valve 9.5bar 1/4M-M16 2V.	1	EA				
22	70788	Tee-nipple PT1/4F - M8 - PT1/4F, brass	1	EA	BRASS			
23	70829	Nipple PF3/8M - PT1/4M, brass	1	EA	BRASS			
24	71281	Flexible Steam pipe L.540	1	EA				
25	70636	Foam Silicon tube 22 x 32, brown 1M	0.5	M	SILICON			
26	70789	Tee-nipple 1/4F - M8 x 2, brass	1	EA	BRASS			
27	82-29614	Copper pipe D.4 L.600, Pressure gauge, XE 2h	1	EA	COPPER			
28	A71861	Copper pipe D.4 L.408, air valve, 2h, 3V.	1	EA	COPPER			
29	A71851	Copper pipe D.4 L.180, pressure s/w, 2h, 3V.	1	EA	COPPER			
30	82-29419	Drain Out D.10 SUS, L600 XE 2H	1	EA	STS			
33	70981	Cables for water probe sensor, EST/XE	1	EA				
35	70983	Cables with connector, pressure switch P1	1	EA				
36	70984	Cables with connector, pressure switch P2	1	EA				
37	70312	Teflon Cable 3.5mm ² , Blue	1.5	M				
38	70313	Teflon Cable 3.5mm ² , Red	1.5	M				
A	A71683	Pressure switch line assembly	1	SET				

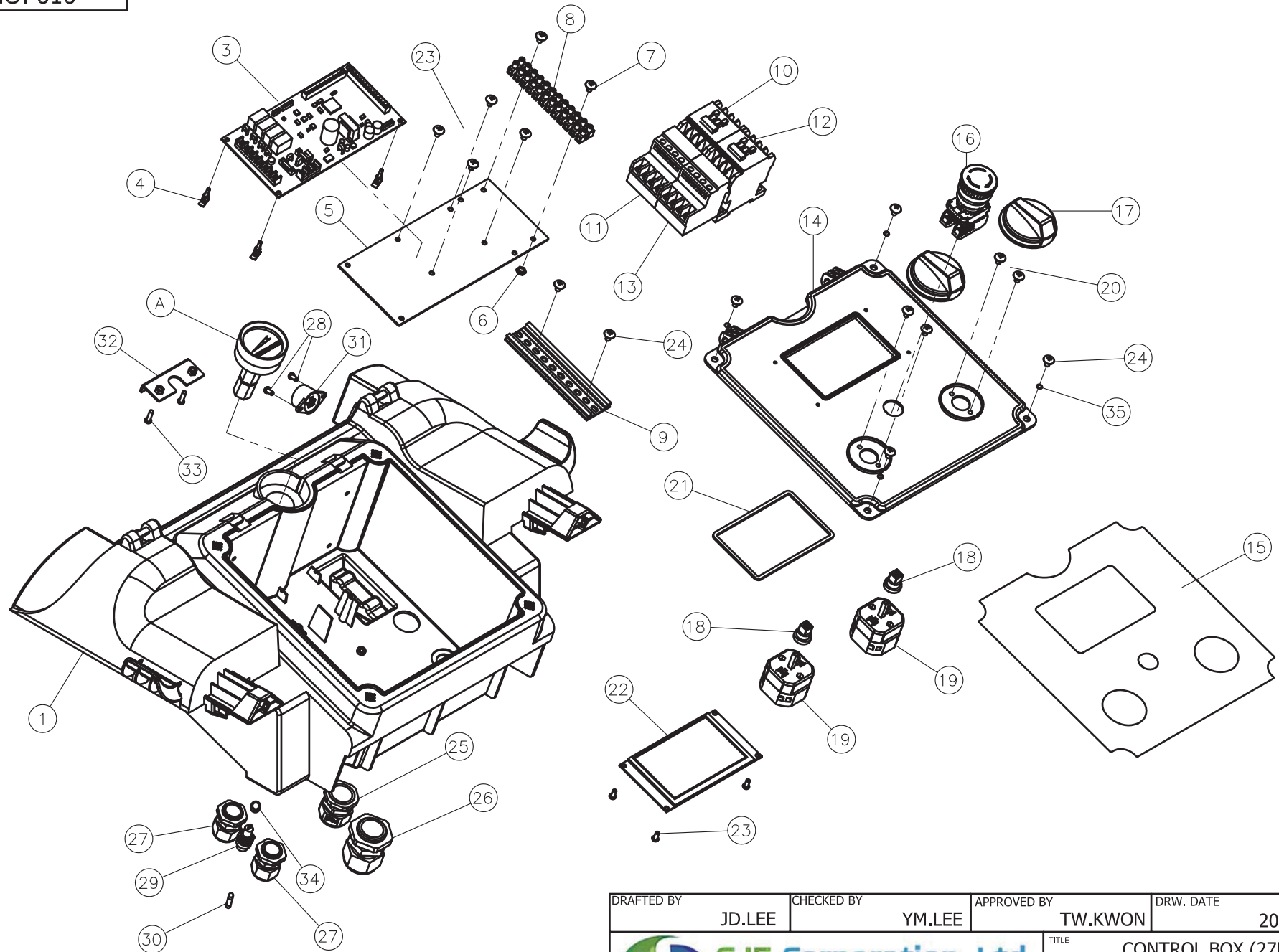
TABLE NO.009



DRAFTED BY	JD.LEE	CHECKED BY	YM.LEE	APPROVED BY	TW.KWON	DRW. DATE	2018.01.01
 SJE Corporation, Ltd. Global Leader of Green solutions						TITLE	STEAM GENERATOR (05K)
						MODEL	OPTIMA XE
						SCALE	1: 4
						SIZE	A4

TABLE NO. 009: STEAM GENERATOR (05K)

REF NO.	PART NO.	DESCRIPTION	Q'TY	UNIT	MATERIAL	FROM	TO	REPLACED NO.
1	21-10022	Electric steam vessel, 2h 14.5L 5V	1	EA	STS			
2	70635	Foam Silicon tube 12 x 24, brown 1M	0.075	M	SILICON			
3	70175	Water probe sensor	3	EA				
4	70377	Spring washer M10	4	EA				
5	70423	Hex. bolt M10 x 20	4	EA				
6	70355	Packing D.90 x 62, Teflon	2	EA	PTFE			
7	70458	Electric heater 3KW, 230V	1	EA				
7	70477	Electric heater 3KW, 208V	(1)	EA				
8	70457	Electric heater 2KW, 230V	1	EA				
8	70476	Electric heater 2KW, 208V	(1)	EA				
9	70383	Spring washer M14	8	EA				
10	70424	Hex. bolt M14 x 35	8	EA				
11	71380	Thermistor temp sensor L.1,350mm	1	EA				
12	70839	Ring nipple PT1/4M - M8, brass	1	EA	BRASS			
13	70785	Tee-nipple PT1/4F, brass	1	EA	BRASS			
14	71268	Nipple PT1/4 M-F L.45, brass	1	EA	BRASS			
15	70082	Pressure switch, Auto reset, N/C, 9.5/8 bar	1	EA				
16	70803	Elbow nipple PT1/4MF, brass	1	EA	BRASS			
17	70081	Pressure switch, Auto reset, N/C, 8.5/7 bar	1	EA				
18	71352	U-bolt 1/4 x 10A, sus	1	EA	STS			
19	70821	Nipple PT1/4M, sus	4	EA	STS			
20	70786	Tee-nipple PT1/4F, sus316	2	EA	STS			
21	22-23046	Safety valve 9.5bar 1/4M-M16 2V.	1	EA				
22	70788	Tee-nipple PT1/4F - M8 - PT1/4F, brass	1	EA	BRASS			
23	70829	Nipple PF3/8M - PT1/4M, brass	1	EA	BRASS			
24	71281	Flexible Steam pipe L.540	1	EA				
25	70636	Foam Silicon tube 22 x 32, brown 1M	0.5	M	SILICON			
26	70789	Tee-nipple 1/4F - M8 x 2, brass	1	EA	BRASS			
27	82-29614	Copper pipe D.4 L.600, Pressure gauge, XE 2h	1	EA	COPPER			
28	A71861	Copper pipe D.4 L.408, air valve, 2h, 3V.	1	EA	COPPER			
29	A71851	Copper pipe D.4 L.180, pressure s/w, 2h, 3V.	1	EA	COPPER			
30	82-29419	Drain Out D.10 SUS, L600 XE 2H	1	EA	SUS			
32	14-41015	Plain washer M10X40X3t , sus	2	EA	STS			
33	70981	Cables for water probe sensor, EST/XE	1	EA				
35	70983	Cables with connector, pressure switch P1	1	EA				
36	70984	Cables with connector, pressure switch P2	1	EA				
37	70312	Teflon Cable 3.5mm ² , Blue	1.5	M				
38	70313	Teflon Cable 3.5mm ² , Red	1.5	M				
A	A71683	Pressure switch line assembly	1	SET				

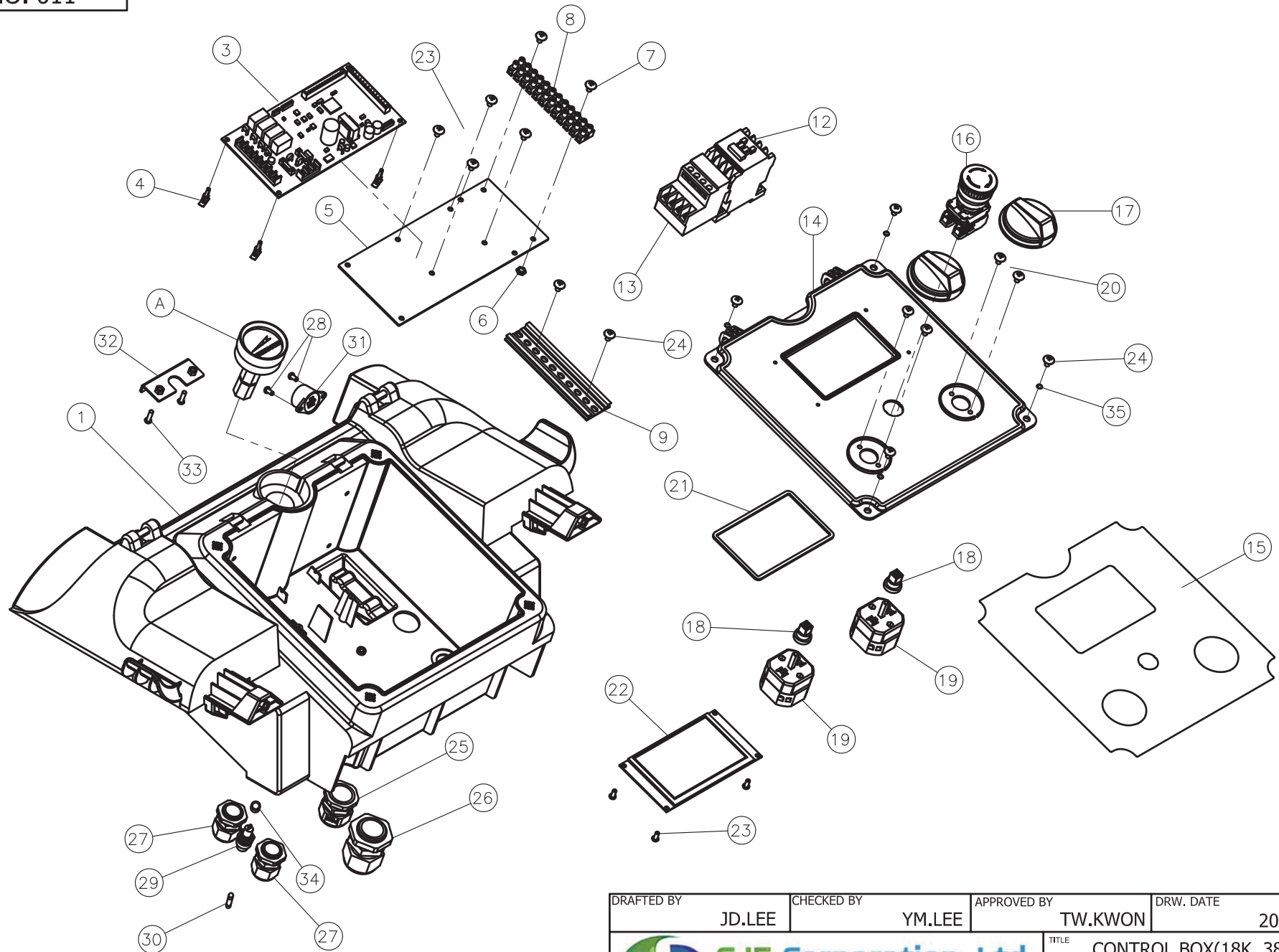


DRAFTED BY	CHECKED BY	APPROVED BY	DRW. DATE
JD.LEE	YM.LEE	TW.KWON	2018.01.01
 SJE Corporation, Ltd. Global Leader of Green solutions			TITLE
			CONTROL BOX (27K)
MODEL	SCALE	SIZE	
OPTIMA XE	1: 4	A4	

TABLE NO. 010 : CONTROL BOX(27K)

REF NO.	PART NO.	DESCRIPTION	Q'TY	UNIT	MATERIAL	FROM	TO	REPLACED NO.
1	20-03021	Control box , XD/E	1	EA	PP			
3	23-32020	Electric control card AC 2.3 - GNT	1	EA				
4	70916	Saddle SS-13N	4	EA				
5	23-35018	Bakelite mounting panel 231x120x2t	1	EA				
6	14-41016	Hex nut M3	2	EA				
7	14-40044	Pan head bolt M3 X 16	2	EA				
8	70578	Terminal block, EKL1BEF-12P	1	EA				
9	70736	Snap bracket L1,000, WS-AR-1	0.08	M				
10	70733	Contactora MC-22B AC220V	1	EA				
11	70735	Thermal Relay MT-32(12-18A)	1	EA				
11	13-32004	Thermal Relay MT-32(9-13A), 600V	(1)	EA				
12	13-32002	Contactora MC 40A	1	EA				
13	70734	Thermal Relay MT-32(22-32A)	1	EA				
13	13-32005	Thermal Relay MT-32(16-22A), 600V	(1)	EA				
14	20-03031	Control panel, XD/E	1	EA	PP			
15	28-80021	Control panel sticker, XD/E	1	EA				
16	13-33008	Emergency Stop Switch, DECA A20B-V4E02R	1	EA				
17	20-03039	Control knob, 2V	2	EA	ABS			
18	20-03040	Control knob holder, 2V	2	EA	POM			
19	71168	Rotary Switch 16A, SA16 2-1	2	EA				
20	71434	Pan head screw M4 x 20	4	EA				
21	24-43013	Pad 3T*8*1000, EPDM	0.4	M	EPDM			
22	23-32021	Display control card V1.1 with cable	1	EA				
23	14-40033	Pan head tapping screw, M4 X 8, II	8	EA				
24	70500	Screw T / T M4.8 x 20	6	EA				
25	70325	Cable gland PG21	1	EA				
26	70320	Cable gland PG25	1	EA				
27	70326	Cable gland PG16	2	EA				
28	14-40049	Pan head tapping screw, M3 X 8, II	2	EA				
29	33-33012	Fuse holder, MF-528	1	EA				
30	70307	Fuse 5x20 4A	1	EA				
31	70769	Buzzer DC12V	1	EA				
32	21-13008	Pressure gauge bracket, XD/E	1	EA	STS			
33	14-40034	Hex. Socket Bolt M5 X 35	2	EA				
34	14-41027	Toothed lock washer 13001	1	EA				
35	14-41009	Washer M5, SUS	4	EA				
A	82-24008	Pressure gauge 0-15BAR D.50, PD4 2V	1	SET				
-	83-35025	Control Box Assembly XE(27K, 380~480V)	1	SET				
-	83-35024	Control Box Assembly XE(27K, 600V)	(1)	SET				

TABLE NO. 011

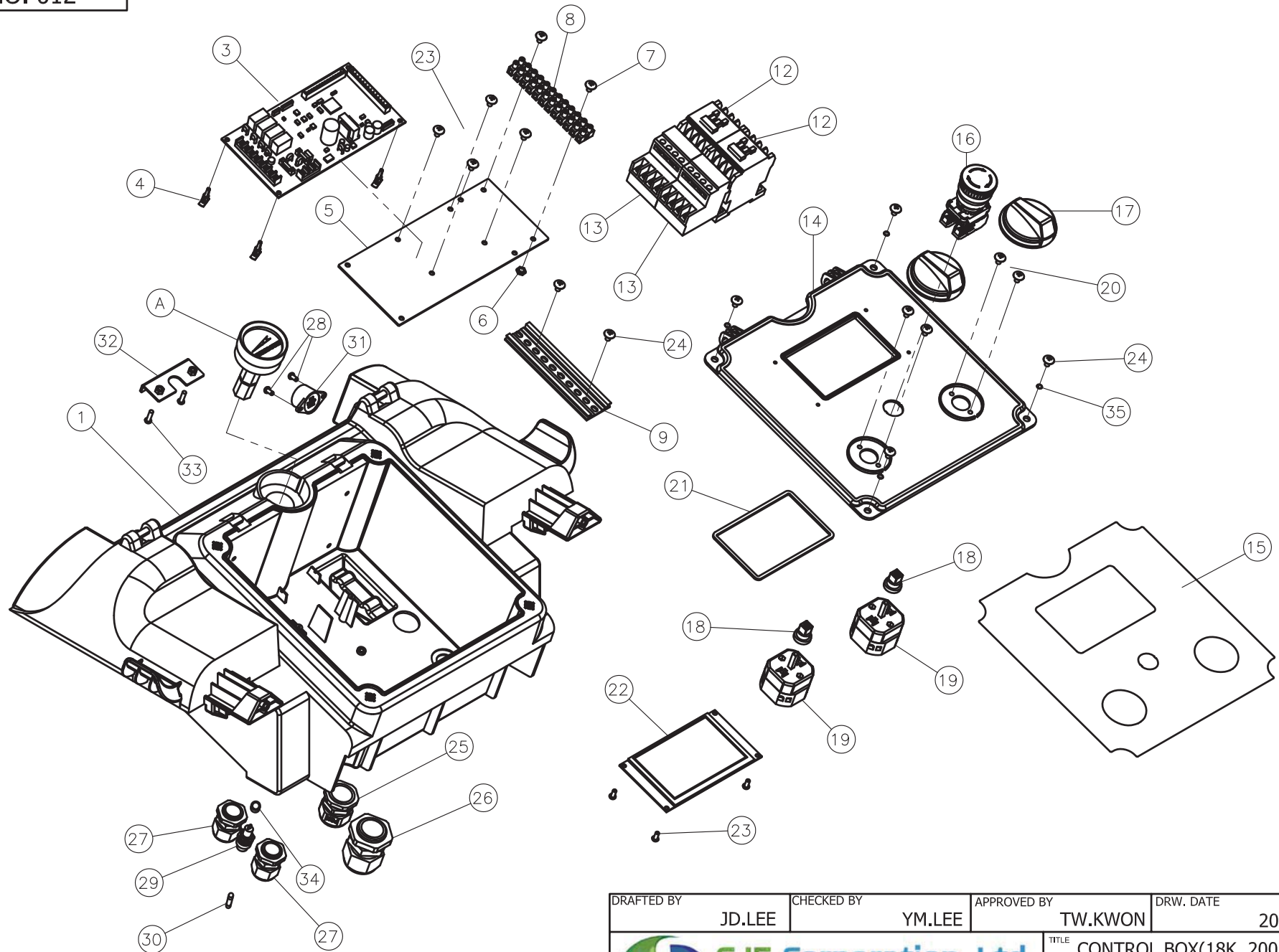


DRAFTED BY	CHECKED BY	APPROVED BY	DRW. DATE
JD.LEE	YM.LEE	TW.KWON	2018.01.01
 SJE Corporation, Ltd. Global Leader of Green solutions			TITLE CONTROL BOX(18K, 380V~)
MODEL OPTIMA XE		SCALE 1: 4	SIZE A4

TABLE NO. 011 : CONTROL BOX(18K, 380V~)

REF NO.	PART NO.	DESCRIPTION	Q'TY	UNIT	MATERIAL	FROM	TO	REPLACED NO.
1	20-03021	Control box , XD/E	1	EA	PP			
3	23-32020	Electric control card AC 2.3 - GNT	1	EA				
4	70916	Saddle SS-13N	4	EA				
5	23-35018	Bakelite mounting panel 231x120x2t	1	EA				
6	14-41016	Hex nut M3	2	EA				
7	14-40044	Pan head bolt M3 X 16	2	EA				
8	70578	Terminal block, EKL1BEF-12P	1	EA				
9	70736	Snap bracket L1,000, WS-AR-1	1	EA				
12	13-32002	Contactora MC 40A	1	EA				
13	70734	Thermal Relay MT-32(22-32A)	1	EA				
13	13-32005	Thermal Relay MT-32(16-22A), 600V	(1)	EA				
14	20-03031	Control panel, XD/E	1	EA	PP			
15	28-80021	Control panel sticker, XD/E	1	EA				
16	13-33008	Emergency Stop Switch, DECA A20B-V4E02R	1	EA				
17	20-03039	Control knob, 2V	2	EA	ABS			
18	20-03040	Control knob holder, 2V	2	EA	POM			
19	71168	Rotary Switch 16A, SA16 2-1	2	EA				
20	71434	Pan head screw M4 x 20	4	EA				
21	24-43013	Pad 3T*8*1000, EPDM	0.4	M	EPDM			
22	23-32021	Display control card V1.1 with cable	1	EA				
23	14-40033	Pan head tapping screw, M4 X 8, II	8	EA				
24	70500	Screw T / T M4.8 x 20	6	EA				
25	70325	Cable gland PG21	1	EA				
26	70322	Cable gland PG29	1	EA				
27	70326	Cable gland PG16	2	EA				
28	14-40049	Pan head tapping screw, M3 X 8, II	2	EA				
29	33-33012	Fuse holder, MF-528	1	EA				
30	70307	Fuse 5x20 4A	1	EA				
31	70769	Buzzer DC12V	1	EA				
32	21-13008	Pressure gauge bracket, XD/E	1	EA	STS			
33	14-40034	Hex. Socket Bolt M5 X 35	2	EA				
34	14-41027	Toothed lock washer 13001	1	EA				
35	14-41009	Washer M5, SUS	4	EA				
A	82-24008	Pressure gauge 0-15BAR D.50, PD4 2V	1	SET				
-	83-35027	Control Box Assembly XE(18K, 380~480V)	1	SET				
-	83-35026	Control Box Assembly XE(18K, 600V)	(1)	SET				

TABLE NO. 012

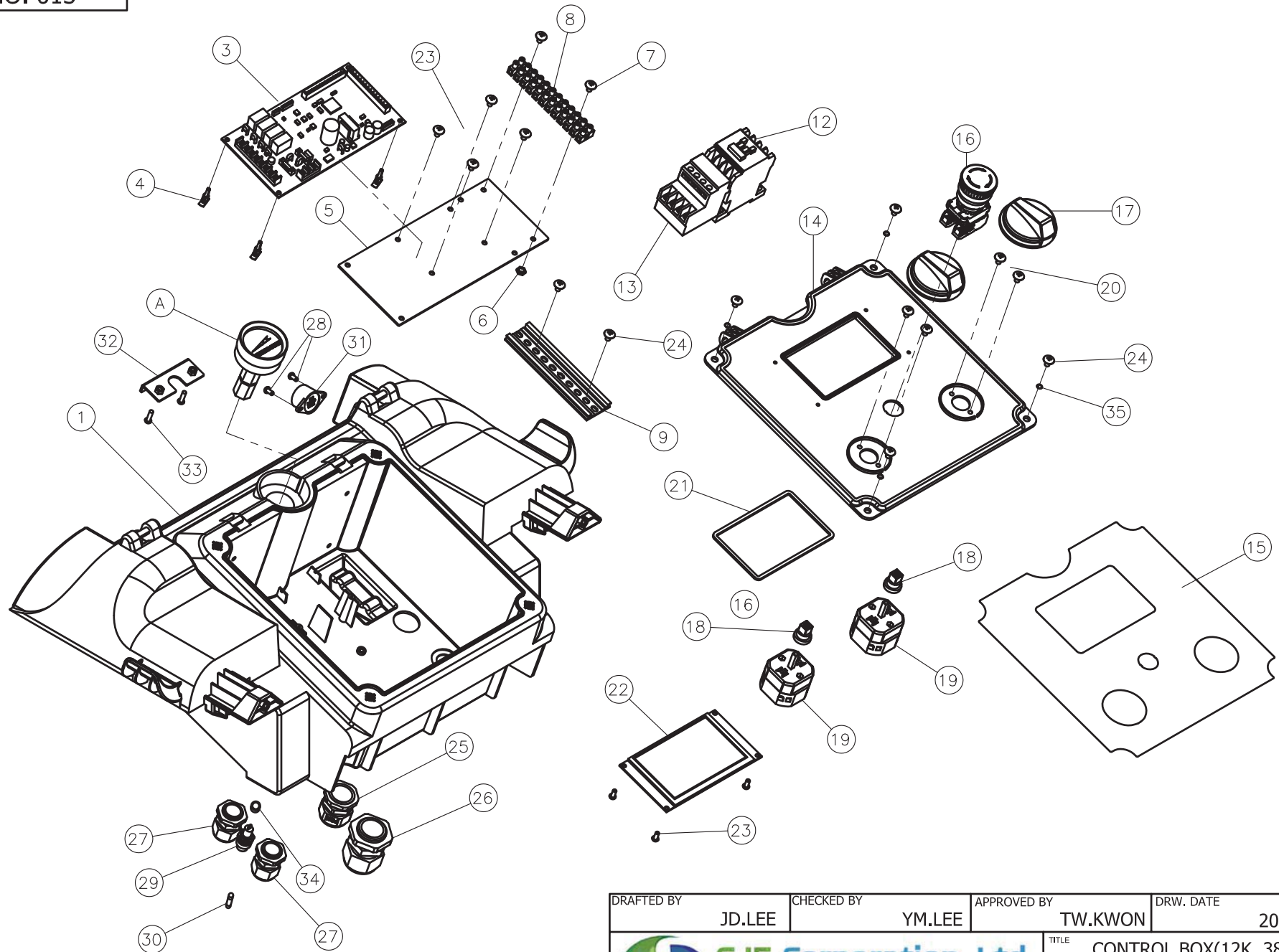


DRAFTED BY	CHECKED BY	APPROVED BY	DRW. DATE
JD.LEE	YM.LEE	TW.KWON	2018.01.01
 SJE Corporation, Ltd. Global Leader of Green solutions			TITLE CONTROL BOX(18K, 200~230V)
MODEL OPTIMA XE		SCALE 1: 4	SIZE A4

TABLE NO. 012 : CONTROL BOX(18K, 200~230V)

REF NO.	PART NO.	DESCRIPTION	Q'TY	UNIT	MATERIAL	FROM	TO	REPLACED NO.
1	20-03021	Control box , XD/E	1	EA	PP			
3	23-32020	Electric control card AC 2.3 - GNT	1	EA				
4	70916	Saddle SS-13N	4	EA				
5	23-35018	Bakelite mounting panel 231x120x2t	1	EA				
6	14-41016	Hex nut M3	2	EA				
7	14-40044	Pan head bolt M3 X 16	2	EA				
8	70578	Terminal block, EKL1BEF-12P	1	EA				
9	70736	Snap bracket L1,000, WS-AR-1	1	EA				
12	13-32002	Contactore MC 40A	2	EA				
13	70734	Thermal Relay MT-32(22-32A)	2	EA				
14	20-03031	Control panel, XD/E	1	EA	PP			
15	28-80021	Control panel sticker, XD/E	1	EA				
16	13-33008	Emergency Stop Switch, DECA A20B-V4E02R	1	EA				
17	20-03039	Control knob, 2V	2	EA	ABS			
18	20-03040	Control knob holder, 2V	2	EA	POM			
19	71168	Rotary Switch 16A, SA16 2-1	2	EA				
20	71434	Pan head screw M4 x 20	4	EA				
21	24-43013	Pad 3T*8*1000, EPDM	0.4	M	EPDM			
22	23-32021	Display control card V1.1 with cable	1	EA				
23	14-40033	Pan head tapping screw, M4 X 8, II	8	EA				
24	70500	Screw T / T M4.8 x 20	6	EA				
25	70325	Cable gland PG21	1	EA				
26	70320	Cable gland PG25	1	EA				
27	70326	Cable gland PG16	2	EA				
28	14-40049	Pan head tapping screw, M3 X 8, II	2	EA				
29	33-33012	Fuse holder, MF-528	1	EA				
30	70307	Fuse 5x20 4A	1	EA				
31	70769	Buzzer DC12V	1	EA				
32	21-13008	Pressure gauge bracket, XD/E	1	EA	STS			
33	14-40034	Hex. Socket Bolt M5 X 35	2	EA				
34	14-41027	Toothed lock washer 13001	1	EA				
35	14-41009	Washer M5, SUS	4	EA				
A	82-24008	Pressure gauge 0-15BAR D.50, PD4 2V	1	SET				
-	83-35028	Control Box Assembly XE(18K, 200~230V)	1	SET				

TABLE NO. 013

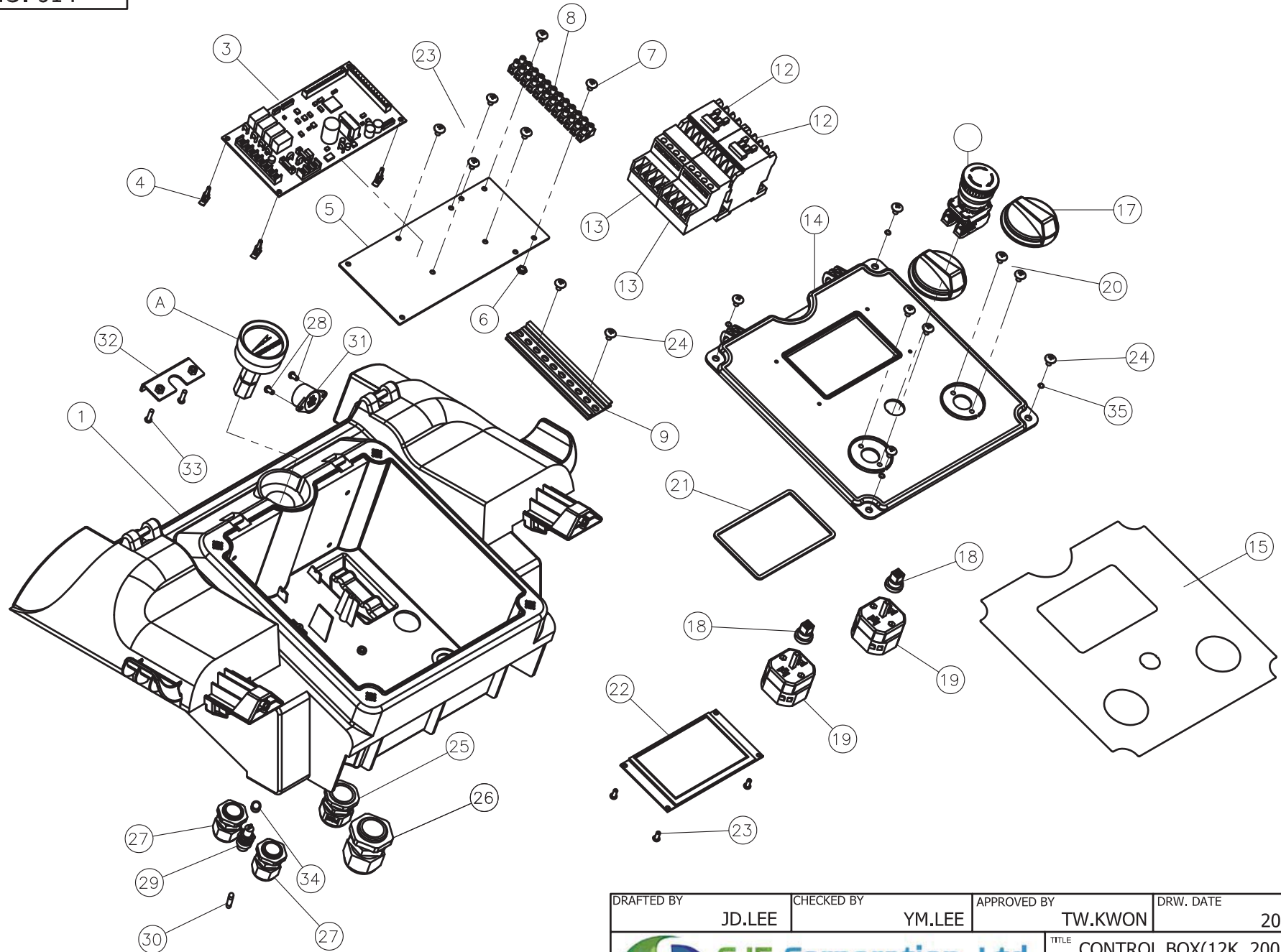


DRAFTED BY	CHECKED BY	APPROVED BY	DRW. DATE
JD.LEE	YM.LEE	TW.KWON	2018.01.01
 SJE Corporation, Ltd. Global Leader of Green solutions			TITLE CONTROL BOX(12K, 380V~)
MODEL OPTIMA XE		SCALE 1: 4	SIZE A4

TABLE NO. 013 : CONTROL BOX(12K, 380V~)

REF NO.	PART NO.	DESCRIPTION	Q'TY	UNIT	MATERIAL	FROM	TO	REPLACED NO.
1	20-03021	Control box , XD/E	1	EA	PP			
3	23-32020	Electric control card AC 2.3 - GNT	1	EA				
4	70916	Saddle SS-13N	4	EA				
5	23-35018	Bakelite mounting panel 231x120x2t	1	EA				
6	14-41016	Hex nut M3	2	EA				
7	14-40044	Pan head bolt M3 X 16	2	EA				
8	70578	Terminal block, EKL1BEF-12P	1	EA				
9	70736	Snap bracket L1,000, WS-AR-1	1	EA				
12	13-32003	Contactora MC 32A	1	EA				
13	13-32005	Thermal Relay MT-32(16-22A)	1	EA				
13	70735	Thermal Relay MT-32(12-18A), 600V	(1)	EA				
14	20-03031	Control panel, XD/E	1	EA	PP			
15	28-80021	Control panel sticker, XD/E	1	EA				
16	13-33008	Emergency Stop Switch, DECA A20B-V4E02R	1	EA				
17	20-03039	Control knob, 2V	2	EA	ABS			
18	20-03040	Control knob holder, 2V	2	EA	POM			
19	71168	Rotary Switch 16A, SA16 2-1	2	EA				
20	71434	Pan head screw M4 x 20	4	EA				
21	24-43013	Pad 3T*8*1000, EPDM	0.4	M	EPDM			
22	23-32021	Display control card V1.1 with cable	1	EA				
23	14-40033	Pan head tapping screw, M4 X 8, II	8	EA				
24	70500	Screw T / T M4.8 x 20	6	EA				
25	70325	Cable gland PG21	1	EA				
26	70320	Cable gland PG25	1	EA				
27	70326	Cable gland PG16	2	EA				
28	14-40049	Pan head tapping screw, M3 X 8, II	2	EA				
29	33-33012	Fuse holder, MF-528	1	EA				
30	70307	Fuse 5x20 4A	1	EA				
31	70769	Buzzer DC12V	1	EA				
32	21-13008	Pressure gauge bracket, XD/E	1	EA	STS			
33	14-40034	Hex. Socket Bolt M5 X 35	2	EA				
34	14-41027	Toothed lock washer 13001	1	EA				
35	14-41009	Washer M5, SUS	4	EA				
A	82-24008	Pressure gauge 0-15BAR D.50, PD4 2V	1	SET				
-	83-35030	Control Box Assembly XE(12K, 380~480V)	1	SET				
-	83-35029	Control Box Assembly XE(12K, 600V)	(1)	SET				

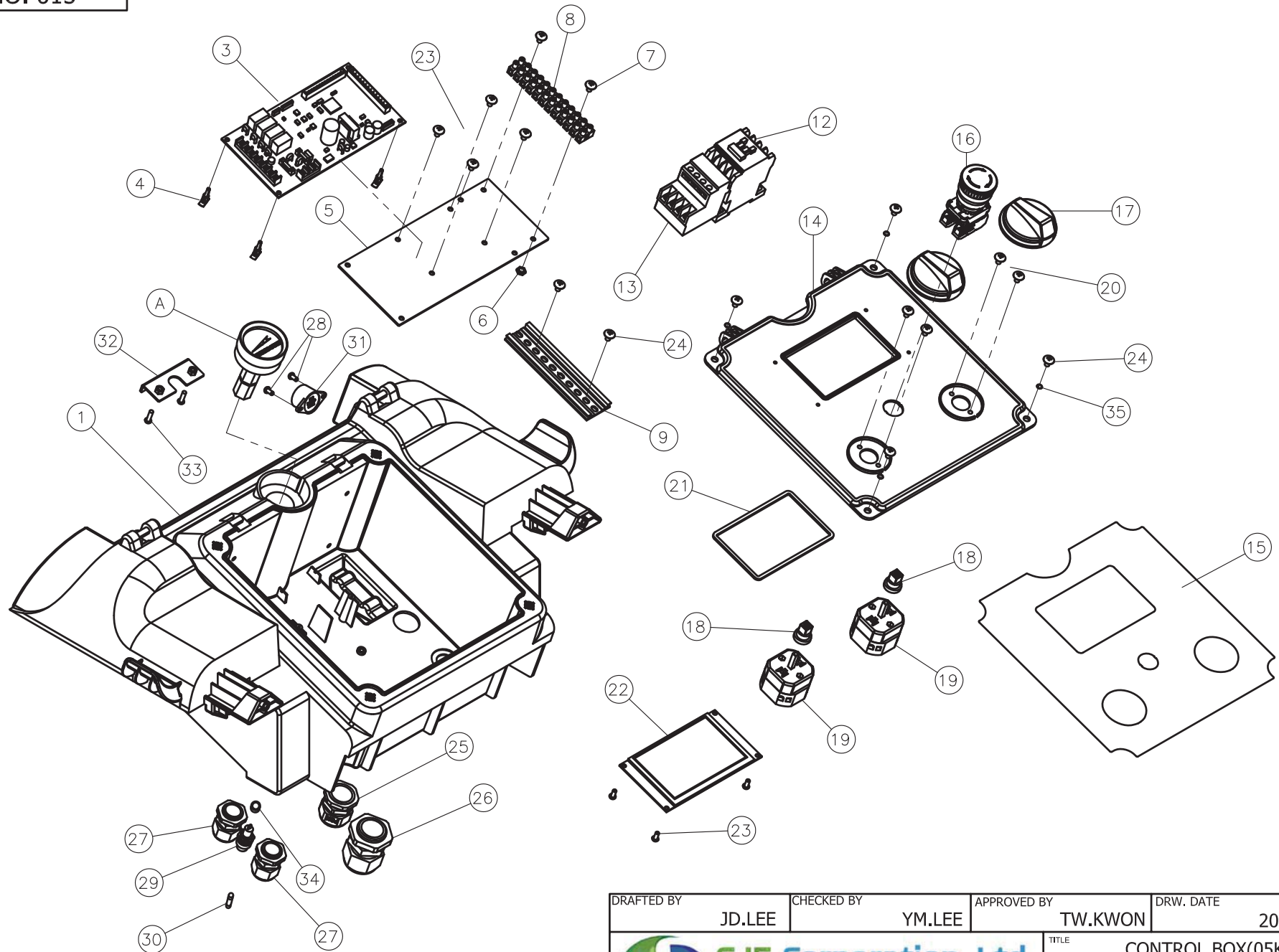
TABLE NO. 014



DRAFTED BY	CHECKED BY	APPROVED BY	DRW. DATE
JD.LEE	YM.LEE	TW.KWON	2018.01.01
 SJE Corporation, Ltd. Global Leader of Green solutions			TITLE
			CONTROL BOX(12K, 200~230V)
MODEL	SCALE	SIZE	
OPTIMA XE	1: 4	A4	

TABLE NO. 014 : CONTROL BOX(12K, 200~230V)

REF NO.	PART NO.	DESCRIPTION	Q'TY	UNIT	MATERIAL	FROM	TO	REPLACED NO.
1	20-03021	Control box , XD/E	1	EA	PP			
3	23-32020	Electric control card AC 2.3 - GNT	1	EA				
4	70916	Saddle SS-13N	4	EA				
5	23-35018	Bakelite mounting panel 231x120x2t	1	EA				
6	14-41016	Hex nut M3	2	EA				
7	14-40044	Pan head bolt M3 X 16	2	EA				
8	70578	Terminal block, EKL1BEF-12P	1	EA				
9	70736	Snap bracket L1,000, WS-AR-1	1	EA				
12	13-32003	Contactora MC 32A	2	EA				
13	13-32005	Thermal Relay MT-32(16-22A)	2	EA				
14	20-03031	Control panel, XD/E	1	EA	PP			
15	28-80021	Control panel sticker, XD/E	1	EA				
16	13-33008	Emergency Stop Switch, DECA A20B-V4E02R	1	EA				
17	20-03039	Control knob, 2V	2	EA	ABS			
18	20-03040	Control knob holder, 2V	2	EA	POM			
19	71168	Rotary Switch 16A, SA16 2-1	2	EA				
20	71434	Pan head screw M4 x 20	4	EA				
21	24-43013	Pad 3T*8*1000, EPDM	0.4	M	EPDM			
22	23-32021	Display control card V1.1 with cable	1	EA				
23	14-40033	Pan head tapping screw, M4 X 8, II	8	EA				
24	70500	Screw T / T M4.8 x 20	6	EA				
25	70325	Cable gland PG21	1	EA				
26	70320	Cable gland PG25	1	EA				
27	70326	Cable gland PG16	2	EA				
28	14-40049	Pan head tapping screw, M3 X 8, II	2	EA				
29	33-33012	Fuse holder, MF-528	1	EA				
30	70307	Fuse 5x20 4A	1	EA				
31	70769	Buzzer DC12V	1	EA				
32	21-13008	Pressure gauge bracket, XD/E	1	EA	STS			
33	14-40034	Hex. Socket Bolt M5 X 35	2	EA				
34	14-41027	Toothed lock washer 13001	1	EA				
35	14-41009	Washer M5, SUS	4	EA				
A	82-24008	Pressure gauge 0-15BAR D.50, PD4 2V	1	SET				
-	83-35031	Control Box Assembly XE(12K, 380~480V)	1	SET				

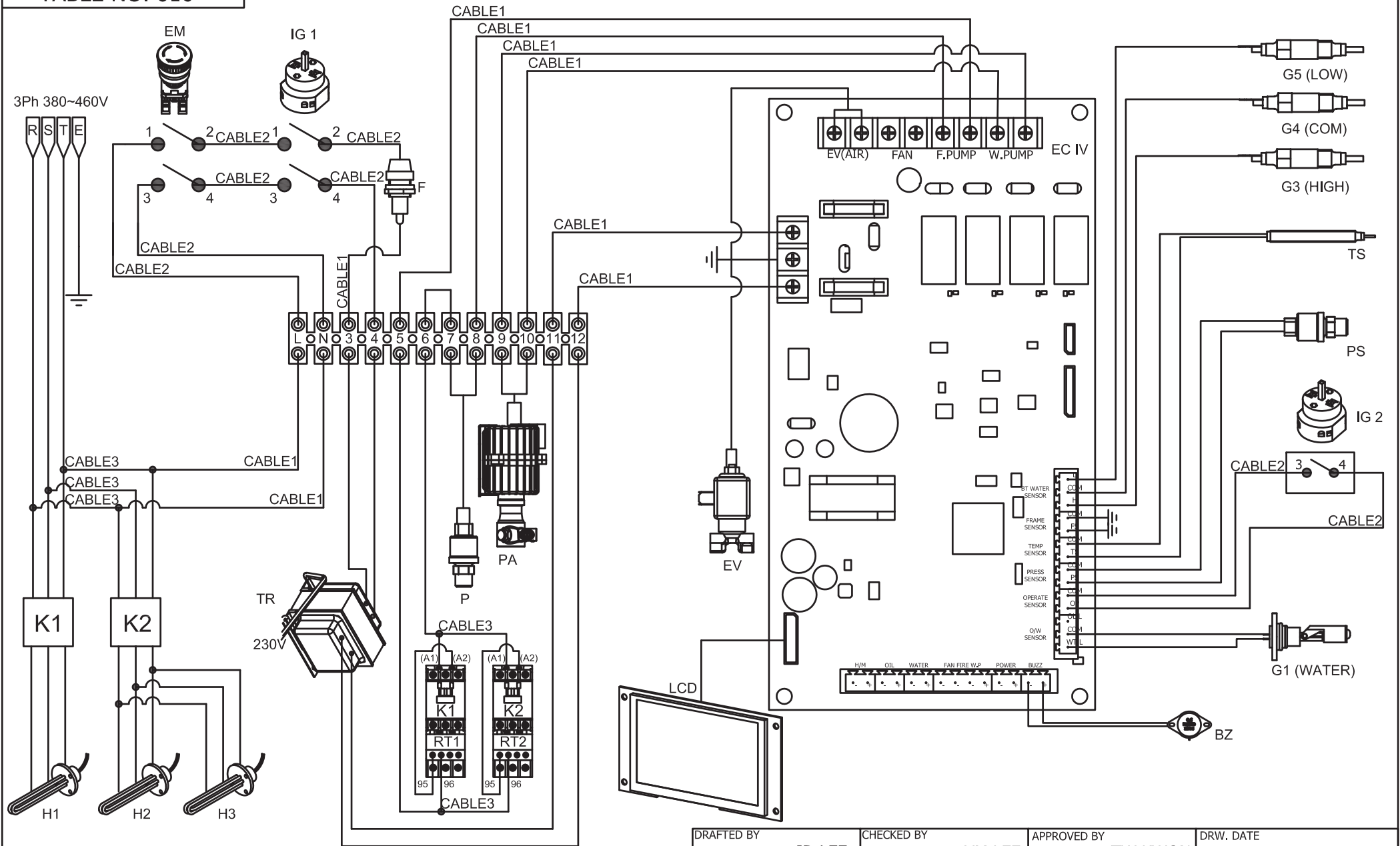


DRAFTED BY	CHECKED BY	APPROVED BY	DRW. DATE
JD.LEE	YM.LEE	TW.KWON	2018.01.01
 SJE Corporation, Ltd. Global Leader of Green solutions			TITLE
			CONTROL BOX(05K)
MODEL	SCALE	SIZE	
OPTIMA XE	1: 4	A4	

TABLE NO. 015 : CONTROL BOX(05K)

REF NO.	PART NO.	DESCRIPTION	Q'TY	UNIT	MATERIAL	FROM	TO	REPLACED NO.
1	20-03021	Control box , XD/E	1	EA	PP			
3	23-32020	Electric control card AC 2.3 - GNT	1	EA				
4	70916	Saddle SS-13N	4	EA				
5	23-35018	Bakelite mounting panel 231x120x2t	1	EA				
6	14-41016	Hex nut M3	2	EA				
7	14-40044	Pan head bolt M3 X 16	2	EA				
8	70578	Terminal block, EKL1BEF-12P	1	EA				
9	70736	Snap bracket L1,000, WS-AR-1	1	EA				
12	13-32003	Contactora MC 32A	1	EA				
13	70734	Thermal Relay MT-32(22-32A)	1	EA				
14	20-03031	Control panel, XD/E	1	EA	PP			
15	28-80021	Control panel sticker, XD/E	1	EA				
16	13-33008	Emergency Stop Switch, DECA A20B-V4E02R	1	EA				
17	20-03039	Control knob, 2V	2	EA	ABS			
18	20-03040	Control knob holder, 2V	2	EA	POM			
19	71168	Rotary Switch 16A, SA16 2-1	2	EA				
20	71434	Pan head screw M4 x 20	4	EA				
21	24-43013	Pad 3T*8*1000, EPDM	0.4	M	EPDM			
22	23-32021	Display control card V1.1 with cable	1	EA				
23	14-40033	Pan head tapping screw, M4 X 8, II	8	EA				
24	70500	Screw T / T M4.8 x 20	6	EA				
25	70325	Cable gland PG21	1	EA				
26	70320	Cable gland PG25	1	EA				
27	70326	Cable gland PG16	2	EA				
28	14-40049	Pan head tapping screw, M3 X 8, II	2	EA				
29	33-33012	Fuse holder, MF-528	1	EA				
30	70307	Fuse 5x20 4A	1	EA				
31	70769	Buzzer DC12V	1	EA				
32	21-13008	Pressure gauge bracket, XD/E	1	EA	STS			
33	14-40034	Hex. Socket Bolt M5 X 35	2	EA				
34	14-41027	Toothed lock washer 13001	1	EA				
35	14-41009	Washer M5, SUS	4	EA				
A	82-24008	Pressure gauge 0-15BAR D.50, PD4 2V	1	SET				
-	83-35032	Control Box Assembly XE(05K, 200~230V)	1	SET				

TABLE NO. 016

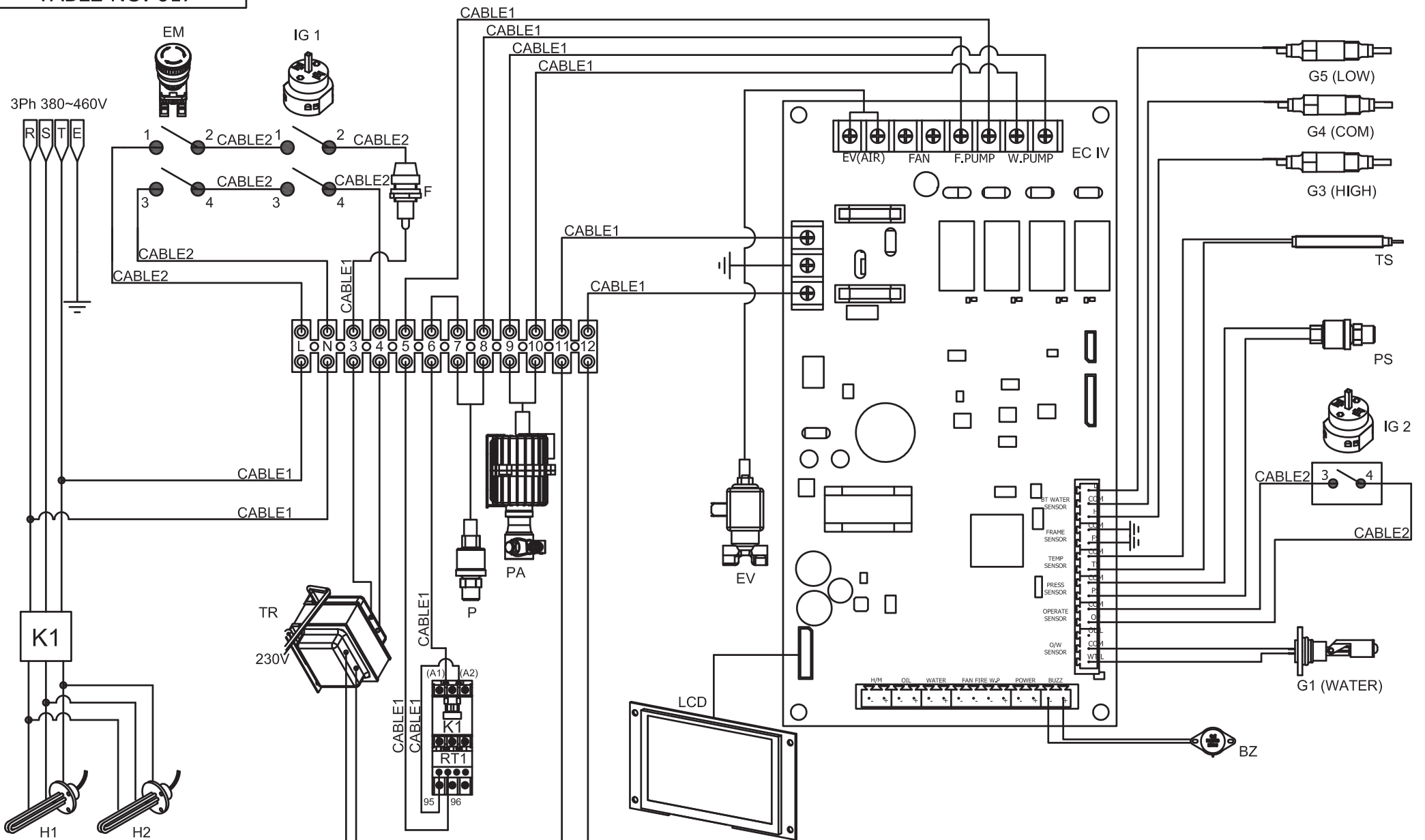


DRAFTED BY	CHECKED BY	APPROVED BY	DRW. DATE
JD.LEE	YM.LEE	TW.KWON	2018.01.01
TITLE			2018.01.01
SJE Corporation, Ltd.			SCHEMATIC DIAGRAM (27K)
Global Leader of Green solutions			
MODEL	SCALE	SIZE	
OPTIMA XE	1:	A4	

TABLE NO. 016 : SCHEMATIC DIAGRAM (27K)

REF NO.	PART NO.	DESCRIPTION	Q'TY	UNIT	MATERIAL	FROM	TO	REPLACED NO.
IG1	71168	Rotary Switch 16A, SA16 2-1	1	EA				
IG2	71168	Rotary Switch 16A, SA16 2-1	1	EA				
EC IV	23-32020	Electric control card AC 2.3 - GNT	1	EA				
TS	71380	Thermistor temp sensor L.1,350mm	1	EA				
F	70307	Fuse 5x20 4A	1	EA				
PS	70081	Pressure switch, Auto reset, N/C, 8.5/7 bar	1	EA				
P	70082	Pressure switch, Auto reset, N/C, 9.5/8 bar	1	EA				
PA	70133	Feedwater pump MO204V viton	1	EA				
BZ	70769	Buzzer DC12V	1	EA				
G1	70171	Floater level switch	1	EA				
G3	70175	Water probe sensor	1	EA				
G4	70175	Water probe sensor	1	EA				
G5	70175	Water probe sensor	1	EA				
EV	71231	Electronic valve JYZ-3E 230V, air purge	1	EA				
K1	70733	Contactactor MC-22B AC220V	1	EA				
K2	13-32002	Contactactor MC 40A	1	EA				
RT1	70735	Thermal Relay MT-32(12-18A)	1	EA				
RT1	13-32004	Thermal Relay MT-32(9-13A), 600V	(1)	EA				
RT2	70734	Thermal Relay MT-32(22-32A)	1	EA				
RT2	13-32005	Thermal Relay MT-32(16-22A), 600V	(1)	EA				
H(1,2,3)	70460	Electric heater 9KW, 3ph 230/400V	3	EA				
H(1,2,3)	70469	Electric heater 9KW, 3ph 415V	(3)	EA				
H(1,2,3)	70471	Electric heater 9KW, 3ph 440V	(3)	EA				
H(1,2,3)	70470	Electric heater 9KW, 3ph 460V	(3)	EA				
H(1,2,3)	70478	Electric heater 9KW, 3ph 480V	(3)	EA				
H(1,2,3)	23-34012	Electric heater 9KW, 3ph 600V	(3)	EA				
TR	71175	Transformer 400-230V 50/60Hz 250VA with Connector	1	EA				
TR	23-32024	Transformer 415-230V 50/60Hz 250VA with Connector	(1)	EA				
TR	71176	Transformer 440-230V 50/60Hz 250VA with Connector	(1)	EA				
TR	71177	Transformer 460-230V 50/60Hz 250VA with Connector	(1)	EA				
TR	71178	Transformer 480-230V 50/60Hz 250VA with Connector	(1)	EA				
TR	23-32009	Transformer 600-230V 50/60Hz 250VA with Connector	(1)	EA				
LCD	23-32021	Display control card V1.1 with cable	1	EA				
CABLE1	23-31007	Cables for PCB Connector, XE	1	EA				
CABLE2	23-31008	Cables for power and steam Switch, XE	1	EA				
CABLE3	23-31009	Cables for MC connection, XE	1	EA				
EM	13-33008	Emergency Stop Switch, DECA A20B-V4E02R	1	EA				

TABLE NO. 017

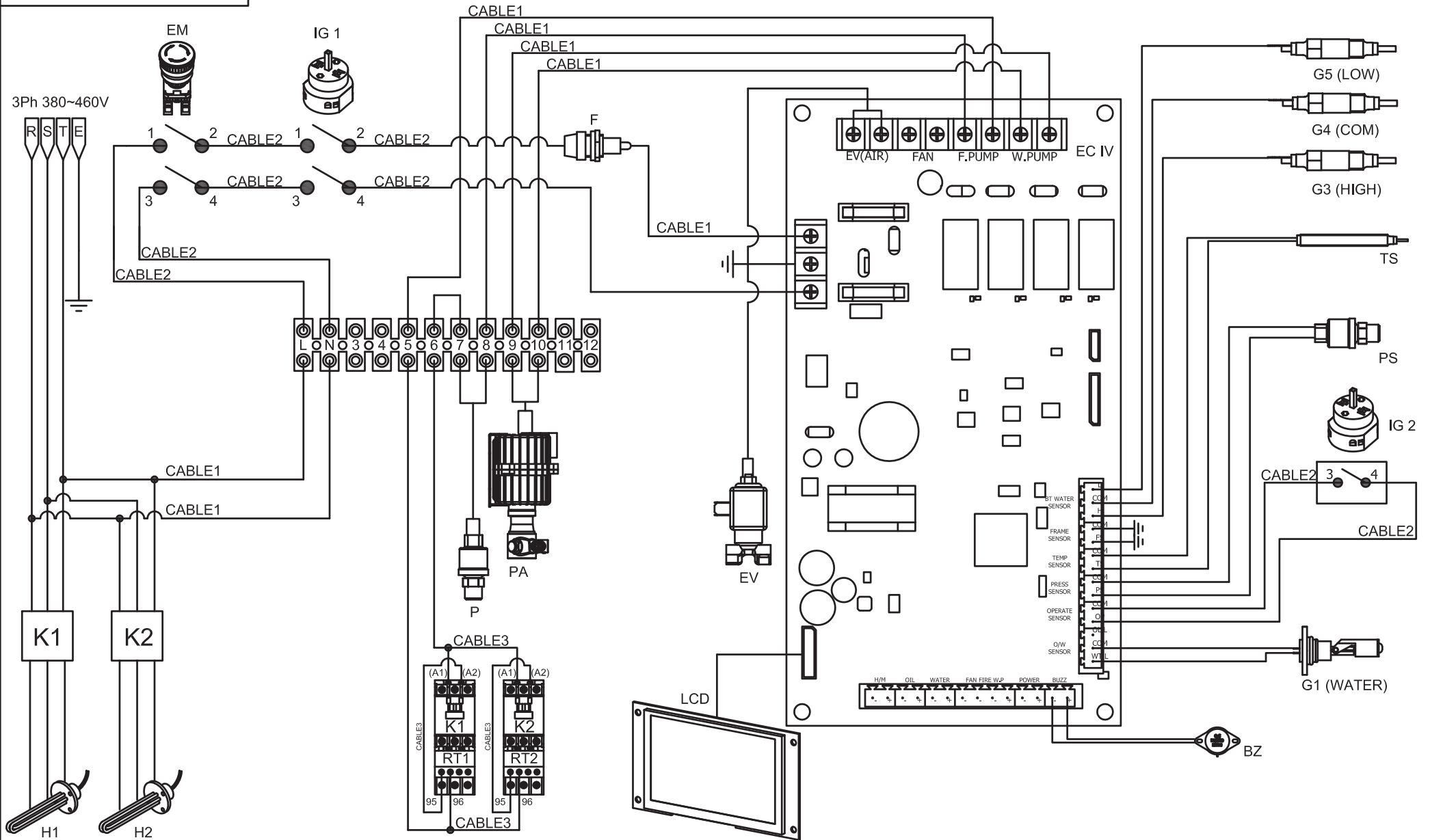


DRAFTED BY	CHECKED BY	APPROVED BY	DRW. DATE
JD.LEE	YM.LEE	TW.KWON	2018.01.01
 SJE Corporation, Ltd. Global Leader of Green solutions			TITLE SCHEMATIC DIAGRAM (18K, 380V~)
MODEL	SCALE	SIZE	
OPTIMA XE	1:	A4	

TABLE NO. 017 : SCHEMATIC DIAGRAM (18K, 380V~)

REF NO.	PART NO.	DESCRIPTION	Q'TY	UNIT	MATERIAL	FROM	TO	REPLACED NO.
IG1	71168	Rotary Switch 16A, SA16 2-1	1	EA				
IG2	71168	Rotary Switch 16A, SA16 2-1	1	EA				
EC IV	23-32020	Electric control card AC 2.3 - GNT	1	EA				
TS	71380	Thermistor temp sensor L.1,350mm	1	EA				
F	70307	Fuse 5x20 4A	1	EA				
PS	70081	Pressure switch, Auto reset, N/C, 8.5/7 bar	1	EA				
P	70082	Pressure switch, Auto reset, N/C, 9.5/8 bar	1	EA				
PA	70133	Feedwater pump MO204V viton	1	EA				
BZ	70769	Buzzer DC12V	1	EA				
G1	70171	Floater level switch	1	EA				
G3	70175	Water probe sensor	1	EA				
G4	70175	Water probe sensor	1	EA				
G5	70175	Water probe sensor	1	EA				
EV	71231	Electronic valve JYZ-3E 230V, air purge	1	EA				
K	13-32002	Contactator MC 40A	1	EA				
RT	70734	Thermal Relay MT-32(22-32A)	1	EA				
RT	13-32005	Thermal Relay MT-32(16-22A), 600V	(1)	EA				
H(1,2)	70460	Electric heater 9KW, 3ph 230/400V	2	EA				
H(1,2)	70469	Electric heater 9KW, 3ph 415V	(2)	EA				
H(1,2)	70471	Electric heater 9KW, 3ph 440V	(2)	EA				
H(1,2)	70470	Electric heater 9KW, 3ph 460V	(2)	EA				
H(1,2)	70478	Electric heater 9KW, 3ph 480V	(2)	EA				
H(1,2)	23-34012	Electric heater 9KW, 3ph 600V	(2)	EA				
TR	71175	Transformer 400-230V 50/60Hz 250VA with Connector	1	EA				
TR	23-32024	Transformer 415-230V 50/60Hz 250VA with Connector	(1)	EA				
TR	71176	Transformer 440-230V 50/60Hz 250VA with Connector	(1)	EA				
TR	71177	Transformer 460-230V 50/60Hz 250VA with Connector	(1)	EA				
TR	71178	Transformer 480-230V 50/60Hz 250VA with Connector	(1)	EA				
TR	23-32009	Transformer 600-230V 50/60Hz 250VA with Connector	(1)	EA				
LCD	23-32021	Display control card V1.1 with cable	1	EA				
CABLE1	23-31007	Cables for PCB Connector, XE	1	EA				
CABLE2	23-31008	Cables for power and steam Switch, XE	1	EA				
EM	13-33008	Emergency Stop Switch, DECA A20B-V4E02R	1	EA				

TABLE NO. 018

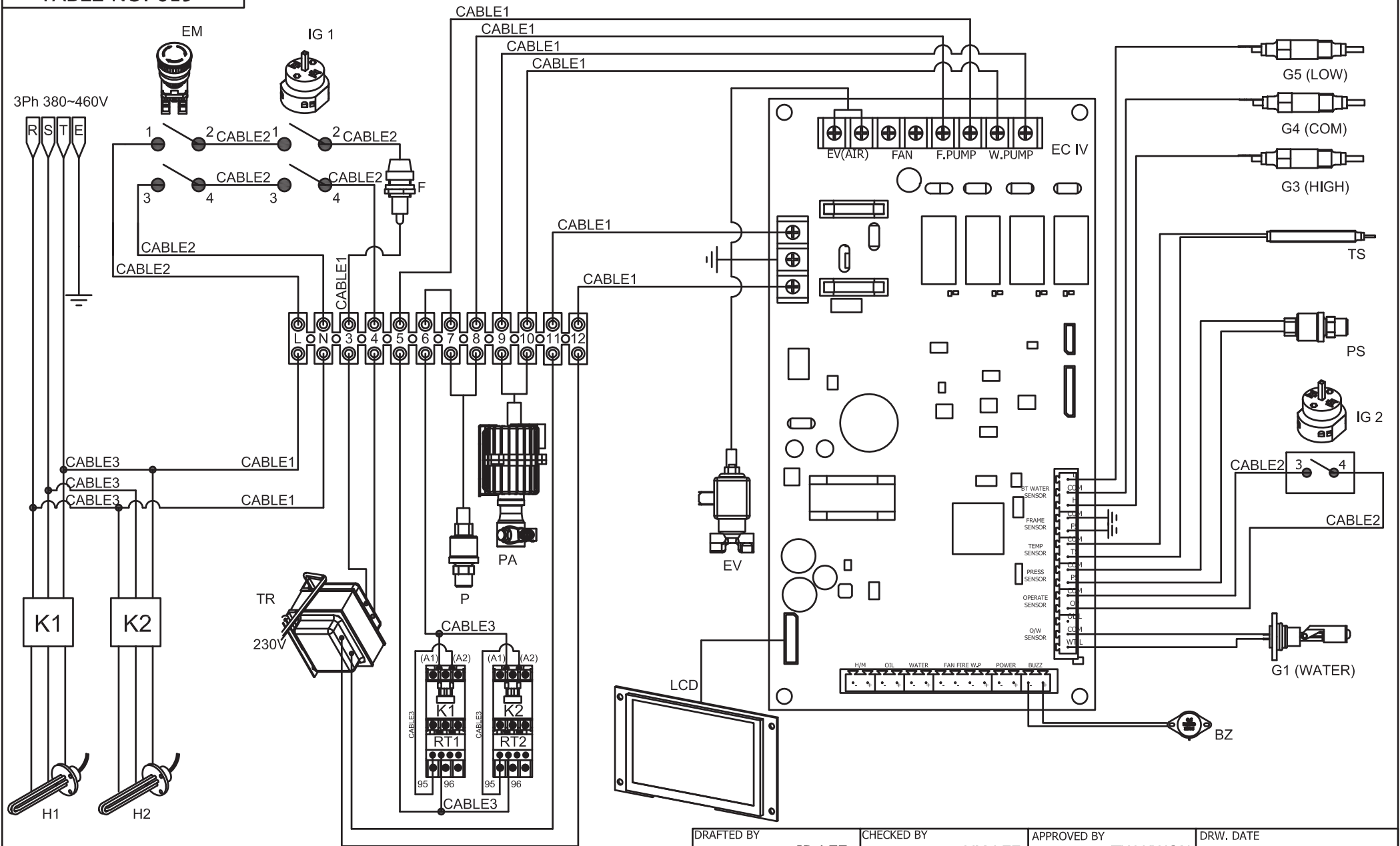


DRAFTED BY	CHECKED BY	APPROVED BY	DRW. DATE
JD.LEE	YM.LEE	TW.KWON	2018.01.01
			TITLE
			SCHEMATIC DIAGRAM (18K, 230V)
MODEL	SCALE	SIZE	
OPTIMA XE	1:	A4	

TABLE NO. 018 : SCHEMATIC DIAGRAM (18K, 230V)

REF NO.	PART NO.	DESCRIPTION	Q'TY	UNIT	MATERIAL	FROM	TO	REPLACED NO.
IG1	71168	Rotary Switch 16A, SA16 2-1	1	EA				
IG2	71168	Rotary Switch 16A, SA16 2-1	1	EA				
EC IV	23-32020	Electric control card AC 2.3 - GNT	1	EA				
TS	71380	Thermistor temp sensor L.1,350mm	1	EA				
F	70307	Fuse 5x20 4A	1	EA				
PS	70081	Pressure switch, Auto reset, N/C, 8.5/7 bar	1	EA				
P	70082	Pressure switch, Auto reset, N/C, 9.5/8 bar	1	EA				
PA	70133	Feedwater pump MO204V viton	1	EA				
BZ	70769	Buzzer DC12V	1	EA				
G1	70171	Floater level switch	1	EA				
G3	70175	Water probe sensor	1	EA				
G4	70175	Water probe sensor	1	EA				
G5	70175	Water probe sensor	1	EA				
EV	71231	Electronic valve JYZ-3E 230V, air purge	1	EA				
K1,2	13-32002	Contactora MC 40A	1	EA				
RT1,2	70734	Thermal Relay MT-32(22-32A)	1	EA				
H(1,2)	70460	Electric heater 9KW, 3ph 230/400V	2	EA				
LCD	23-32021	Display control card V1.1 with cable	1	EA				
CABLE1	23-31007	Cables for PCB Connector, XE	1	EA				
CABLE2	23-31008	Cables for power and steam Switch, XE	1	EA				
CABLE3	23-31009	Cables for MC connection, XE	1	EA				
EM	13-33008	Emergency Stop Switch, DECA A20B-V4E02R	1	EA				

TABLE NO. 019



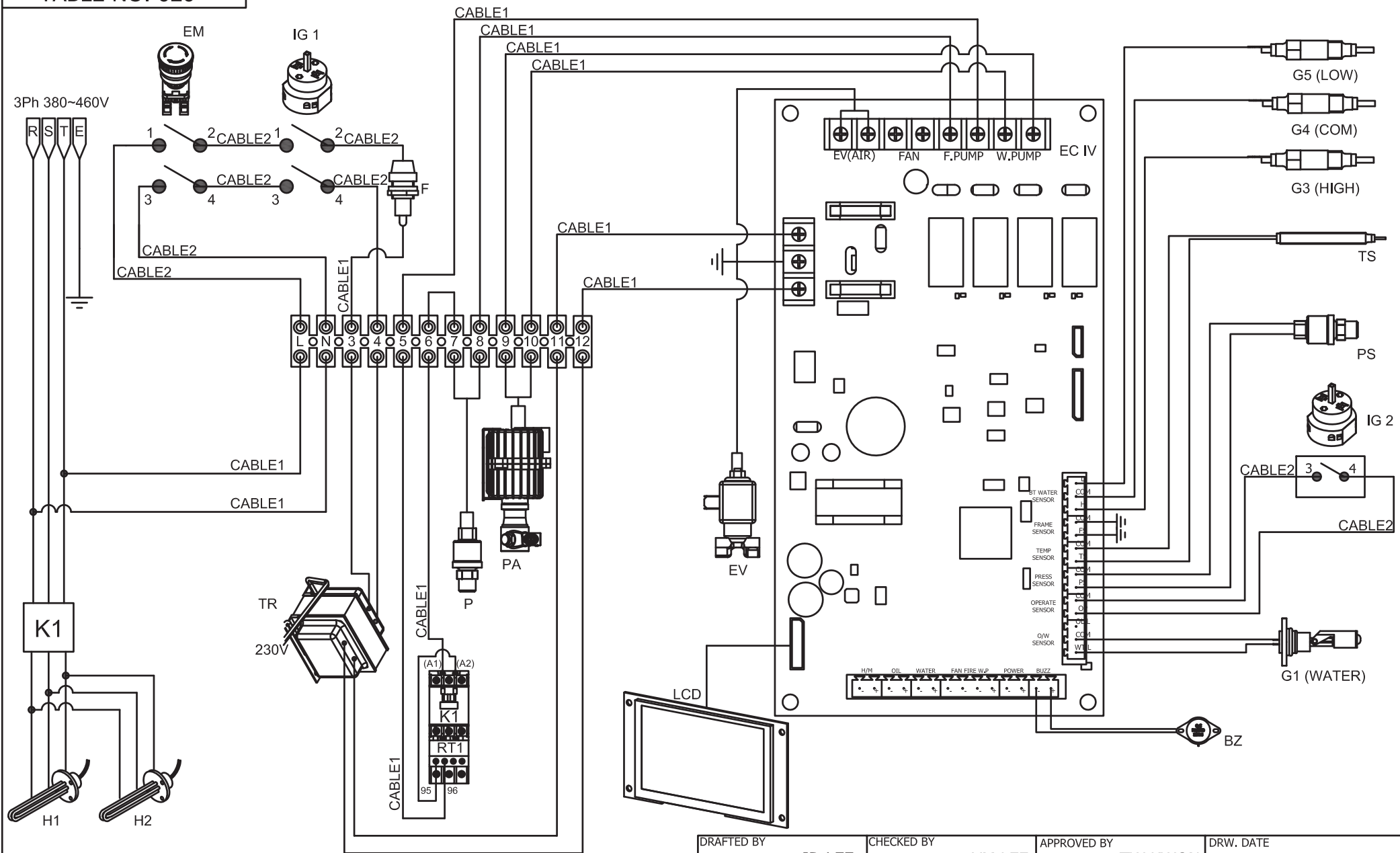
DRAFTED BY	CHECKED BY	APPROVED BY	DRW. DATE
JD.LEE	YM.LEE	TW.KWON	2018.01.01
TITLE			SCHEMATIC DIAGRAM (18K, 208V)
MODEL	SCALE	SIZE	
OPTIMA XE	1:	A4	



TABLE NO. 019 : SCHEMATIC DIAGRAM (18K, 208V)

REF NO.	PART NO.	DESCRIPTION	Q'TY	UNIT	MATERIAL	FROM	TO	REPLACED NO.
IG1	71168	Rotary Switch 16A, SA16 2-1	1	EA				
IG2	71168	Rotary Switch 16A, SA16 2-1	1	EA				
EC IV	23-32020	Electric control card AC 2.3 - GNT	1	EA				
TS	71380	Thermistor temp sensor L.1,350mm	1	EA				
F	70307	Fuse 5x20 4A	1	EA				
PS	70081	Pressure switch, Auto reset, N/C, 8.5/7 bar	1	EA				
P	70082	Pressure switch, Auto reset, N/C, 9.5/8 bar	1	EA				
PA	70133	Feedwater pump MO204V viton	1	EA				
BZ	70769	Buzzer DC12V	1	EA				
G1	70171	Floater level switch	1	EA				
G3	70175	Water probe sensor	1	EA				
G4	70175	Water probe sensor	1	EA				
G5	70175	Water probe sensor	1	EA				
EV	71231	Electronic valve JYZ-3E 230V, air purge	1	EA				
K1,2	13-32002	Contactore MC 40A	1	EA				
RT1,2	70734	Thermal Relay MT-32(22-32A)	1	EA				
H(1,2)	70460	Electric heater 9KW, 3ph 230/400V	2	EA				
TR	71173	Transformer 208-230V 50/60Hz 250VA with connector	1	EA				
LCD	23-32021	Display control card V1.1 with cable	1	EA				
CABLE1	23-31007	Cables for PCB Connector, XE	1	EA				
CABLE2	23-31008	Cables for power and steam Switch, XE	1	EA				
CABLE3	23-31009	Cables for MC connection, XE	1	EA				
EM	13-33008	Emergency Stop Switch, DECA A20B-V4E02R	1	EA				

TABLE NO. 020



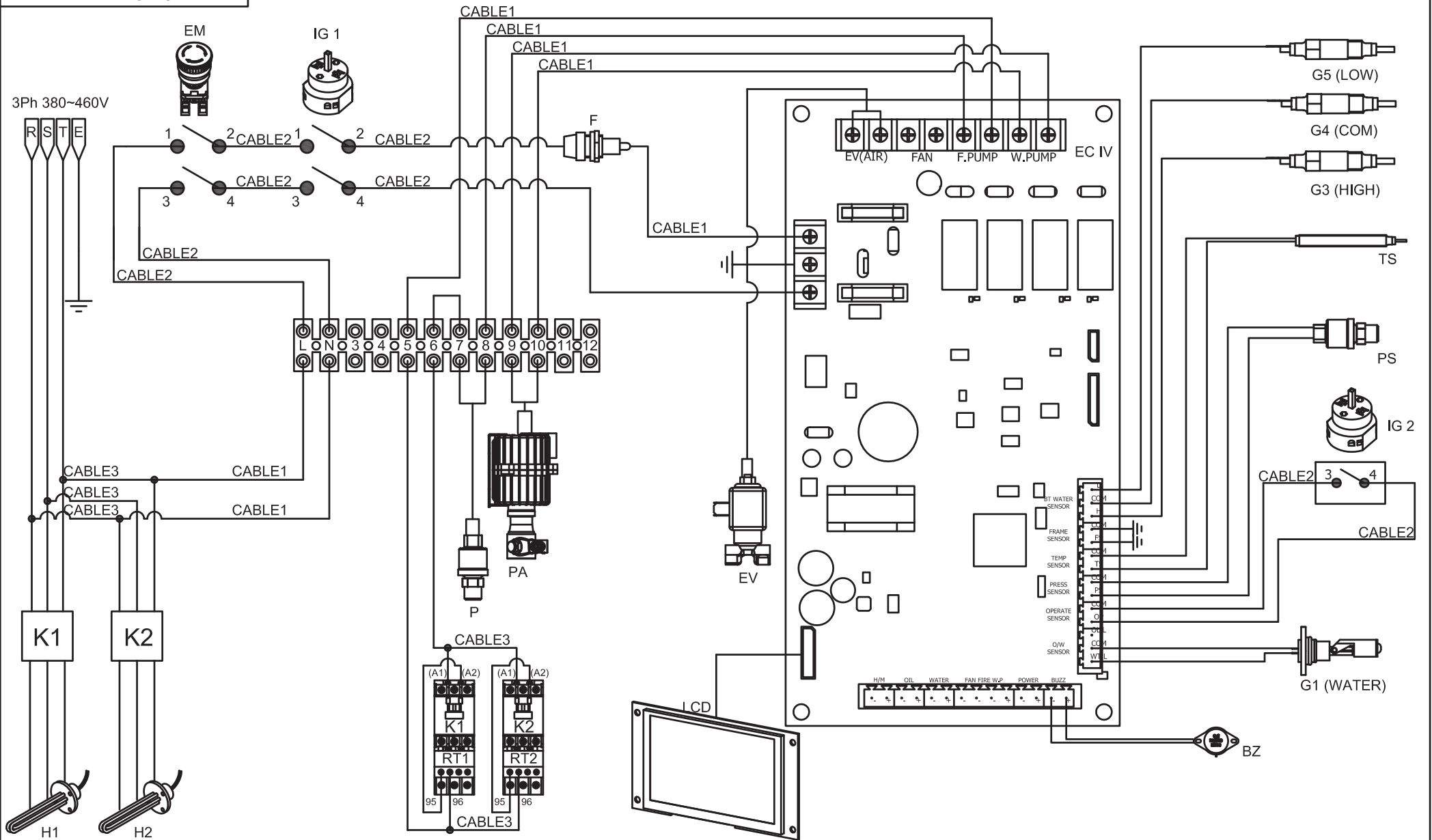
DRAFTED BY	CHECKED BY	APPROVED BY	DRW. DATE
JD.LEE	YM.LEE	TW.KWON	2018.01.01
TITLE			2018.01.01
SJE Corporation, Ltd.			SCHMATIC DIAGRAM (12K, 380V~)
MODEL		SCALE	SIZE
OPTIMA XE		1:	A4



TABLE NO. 020 : SCHEMATIC DIAGRAM (12K, 380V~)

REF NO.	PART NO.	DESCRIPTION	Q'TY	UNIT	MATERIAL	FROM	TO	REPLACED NO.
IG1	71168	Rotary Switch 16A, SA16 2-1	1	EA				
IG2	71168	Rotary Switch 16A, SA16 2-1	1	EA				
EC IV	23-32020	Electric control card AC 2.3 - GNT	1	EA				
TS	71380	Thermistor temp sensor L.1,350mm	1	EA				
F	70307	Fuse 5x20 4A	1	EA				
PS	70081	Pressure switch, Auto reset, N/C, 8.5/7 bar	1	EA				
P	70082	Pressure switch, Auto reset, N/C, 9.5/8 bar	1	EA				
PA	70133	Feedwater pump MO204V viton	1	EA				
BZ	70769	Buzzer DC12V	1	EA				
G1	70171	Floater level switch	1	EA				
G3	70175	Water probe sensor	1	EA				
G4	70175	Water probe sensor	1	EA				
G5	70175	Water probe sensor	1	EA				
EV	71231	Electronic valve JYZ-3E 230V, air purge	1	EA				
K1	13-32003	Contactora MC 32A	1	EA				
RT1	13-32005	Thermal Relay MT-32(16-22A)	1	EA				
RT1	70735	Thermal Relay MT-32(12-18A), 600v	(1)	EA				
H(1,2)	70459	Electric heater 9KW, 3ph 230/400V	2	EA				
H(1,2)	70464	Electric heater 9KW, 3ph 415V	(2)	EA				
H(1,2)	70475	Electric heater 9KW, 3ph 440V	(2)	EA				
H(1,2)	70468	Electric heater 9KW, 3ph 460V	(2)	EA				
H(1,2)	70479	Electric heater 9KW, 3ph 480V	(2)	EA				
H(1,2)	23-34014	Electric heater 9KW, 3ph 600V	(2)	EA				
TR	71175	Transformer 400-230V 50/60Hz 250VA with Connector	(1)	EA				
TR	23-32024	Transformer 415-230V 50/60Hz 250VA with Connector	(1)	EA				
TR	71176	Transformer 440-230V 50/60Hz 250VA with Connector	(1)	EA				
TR	71177	Transformer 460-230V 50/60Hz 250VA with Connector	(1)	EA				
TR	71178	Transformer 480-230V 50/60Hz 250VA with Connector	(1)	EA				
TR	23-32009	Transformer 600-230V 50/60Hz 250VA with Connector	(1)	EA				
LCD	23-32021	Display control card V1.1 with cable	1	EA				
CABLE1	23-31007	Cables for PCB Connector, XE	1	EA				
CABLE2	23-31008	Cables for power and steam Switch, XE	1	EA				
EM	13-33008	Emergency Stop Switch, DECA A20B-V4E02R	1	EA				

TABLE NO. 021



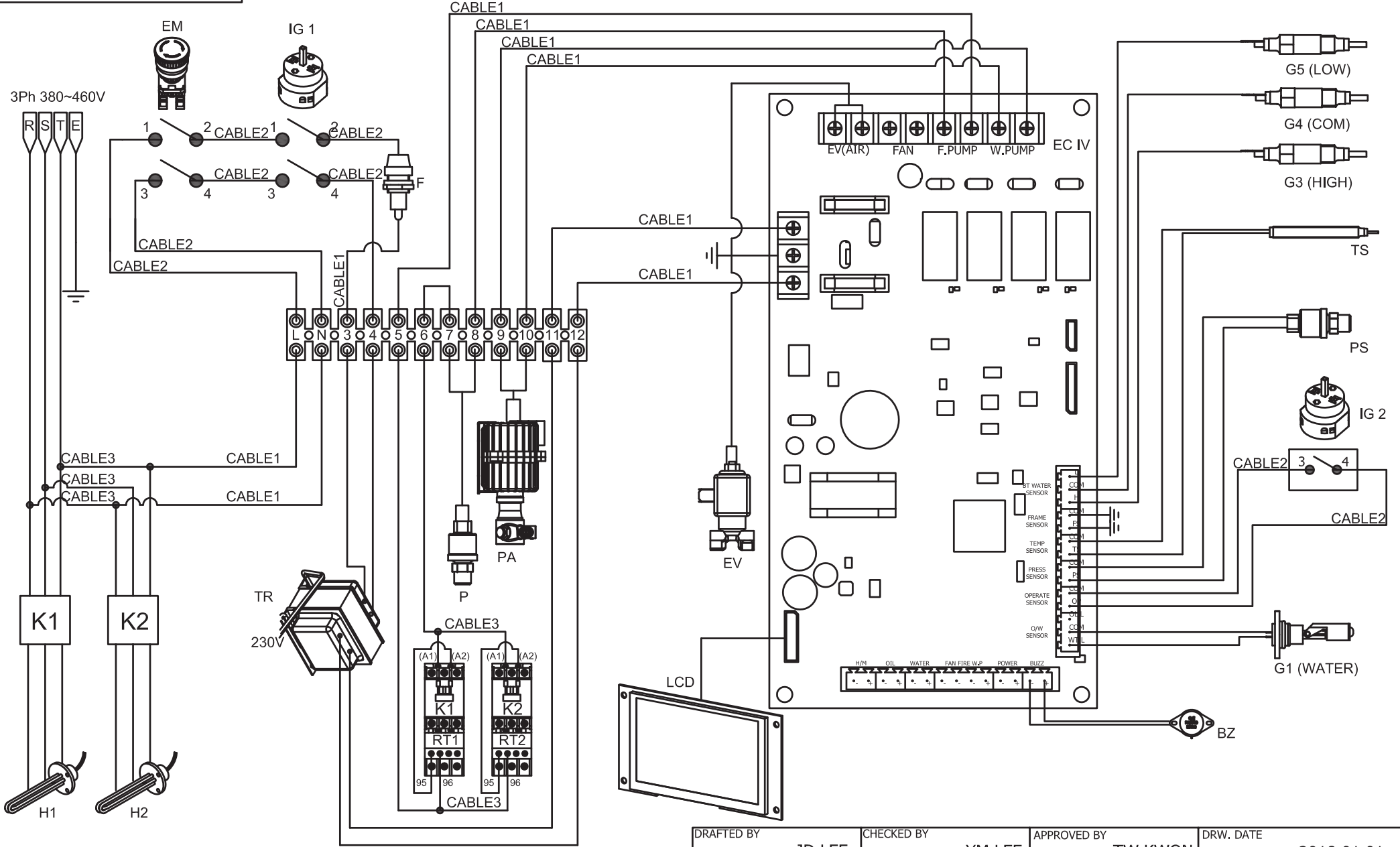
DRAFTED BY	CHECKED BY	APPROVED BY	DRW. DATE
JD.LEE	YM.LEE	TW.KWON	2018.01.01
TITLE			2018.01.01
SJE Corporation, Ltd.			SCHEMATIC DIAGRAM (12K, 230V)
MODEL	SCALE	SIZE	
OPTIMA XE	1:	A4	



TABLE NO. 021 : SCHEMATIC DIAGRAM (12K, 230V)

REF NO.	PART NO.	DESCRIPTION	Q'TY	UNIT	MATERIAL	FROM	TO	REPLACED NO.
IG1	71168	Rotary Switch 16A, SA16 2-1	1	EA				
IG2	71168	Rotary Switch 16A, SA16 2-1	1	EA				
EC IV	23-32020	Electric control card AC 2.3 - GNT	1	EA				
TS	71380	Thermistor temp sensor L.1,350mm	1	EA				
F	70307	Fuse 5x20 4A	1	EA				
PS	70081	Pressure switch, Auto reset, N/C, 8.5/7 bar	1	EA				
P	70082	Pressure switch, Auto reset, N/C, 9.5/8 bar	1	EA				
PA	70133	Feedwater pump MO204V viton	1	EA				
BZ	70769	Buzzer DC12V	1	EA				
G1	70171	Floater level switch	1	EA				
G3	70175	Water probe sensor	1	EA				
G4	70175	Water probe sensor	1	EA				
G5	70175	Water probe sensor	1	EA				
EV	71231	Electronic valve JYZ-3E 230V, air purge	1	EA				
K(1,2)	13-32003	Contactator MC 32A	2	EA				
RT(1,2)	13-32005	Thermal Relay MT-32(16-22A)	2	EA				
H(1,2)	70459	Electric heater 6KW, 3ph 230/400V	(2)	EA				
LCD	23-32021	Display control card V1.1 with cable	1	EA				
CABLE1	23-31007	Cables for PCB Connector, XE	1	EA				
CABLE2	23-31008	Cables for power and steam Switch, XE	1	EA				
CABLE3	23-31009	Cables for MC connection, XE	1	EA				
EM	13-33008	Emergency Stop Switch, DECA A20B-V4E02R	1	EA				

TABLE NO. 022

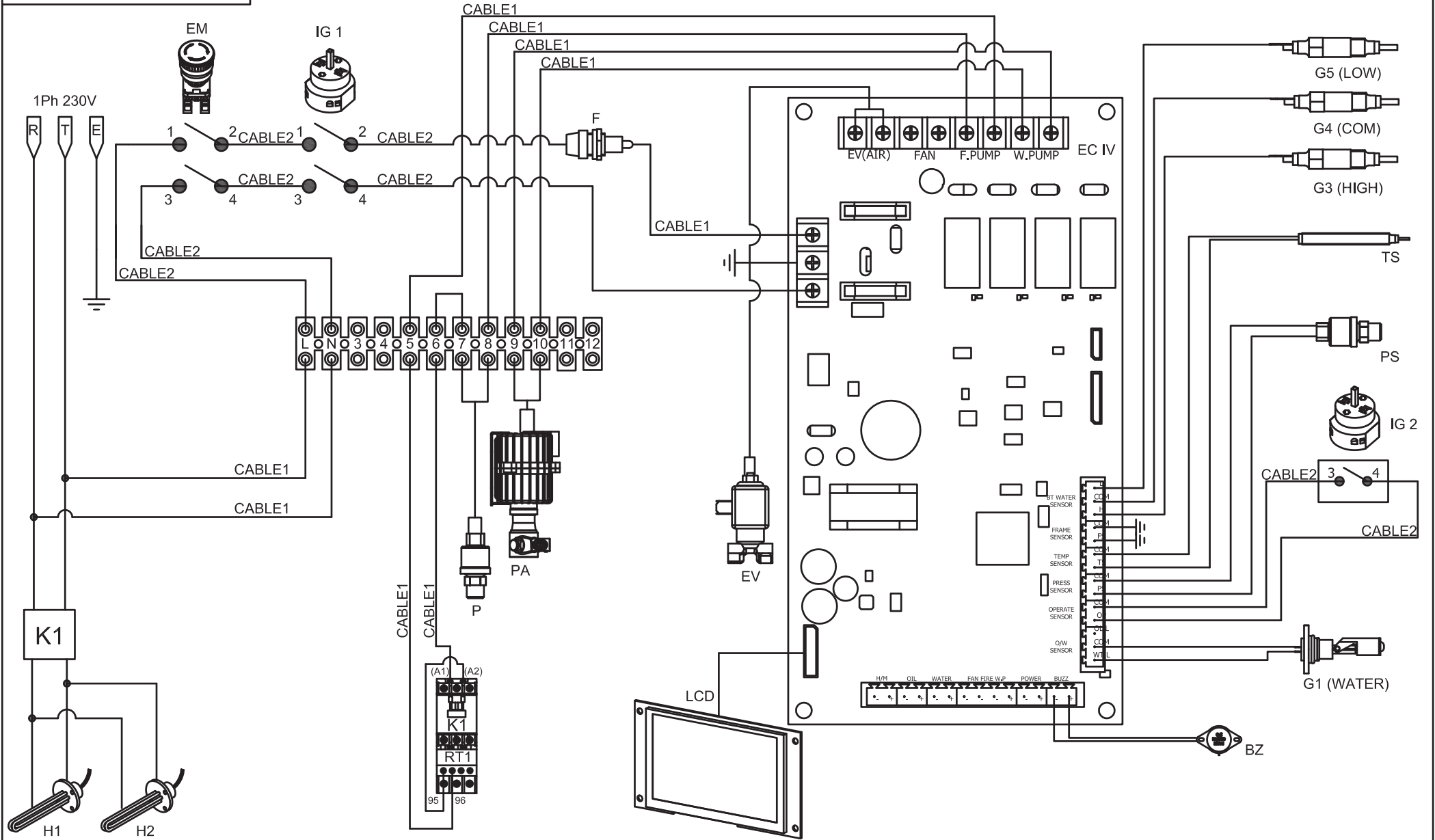


DRAFTED BY	CHECKED BY	APPROVED BY	DRW. DATE
JD.LEE	YM.LEE	TW.KWON	2018.01.01
 SJE Corporation, Ltd. Global Leader of Green solutions			TITLE SCHEMATIC DIAGRAM (12K, 208V)
MODEL	SCALE	SIZE	
OPTIMA XE	1:	A4	

TABLE NO. 022 : SCHEMATIC DIAGRAM (12K, 208V)

REF NO.	PART NO.	DESCRIPTION	Q'TY	UNIT	MATERIAL	FROM	TO	REPLACED NO.
IG1	71168	Rotary Switch 16A, SA16 2-1	1	EA				
IG2	71168	Rotary Switch 16A, SA16 2-1	1	EA				
EC IV	23-32020	Electric control card AC 2.3 - GNT	1	EA				
TS	71380	Thermistor temp sensor L.1,350mm	1	EA				
F	70307	Fuse 5x20 4A	1	EA				
PS	70081	Pressure switch, Auto reset, N/C, 8.5/7 bar	1	EA				
P	70082	Pressure switch, Auto reset, N/C, 9.5/8 bar	1	EA				
PA	70133	Feedwater pump MO204V viton	1	EA				
BZ	70769	Buzzer DC12V	1	EA				
G1	70171	Floater level switch	1	EA				
G3	70175	Water probe sensor	1	EA				
G4	70175	Water probe sensor	1	EA				
G5	70175	Water probe sensor	1	EA				
EV	71231	Electronic valve JYZ-3E 230V, air purge	1	EA				
K(1,2)	13-32003	Contactator MC 32A	2	EA				
RT(1,2)	13-32005	Thermal Relay MT-32(16-22A)	2	EA				
H(1,2)	70461	Electric heater 6KW, 3ph 208V	2	EA				
TR	71173	Transformer 208-230V 50/60Hz 250VA with connector	1	EA				
LCD	23-32021	Display control card V1.1 with cable	1	EA				
CABLE1	23-31007	Cables for PCB Connector, XE	1	EA				
CABLE2	23-31008	Cables for power and steam Switch, XE	1	EA				
CABLE3	23-31009	Cables for MC connection, XE	1	EA				
EM	13-33008	Emergency Stop Switch, DECA A20B-V4E02R	1	EA				

TABLE NO. 023



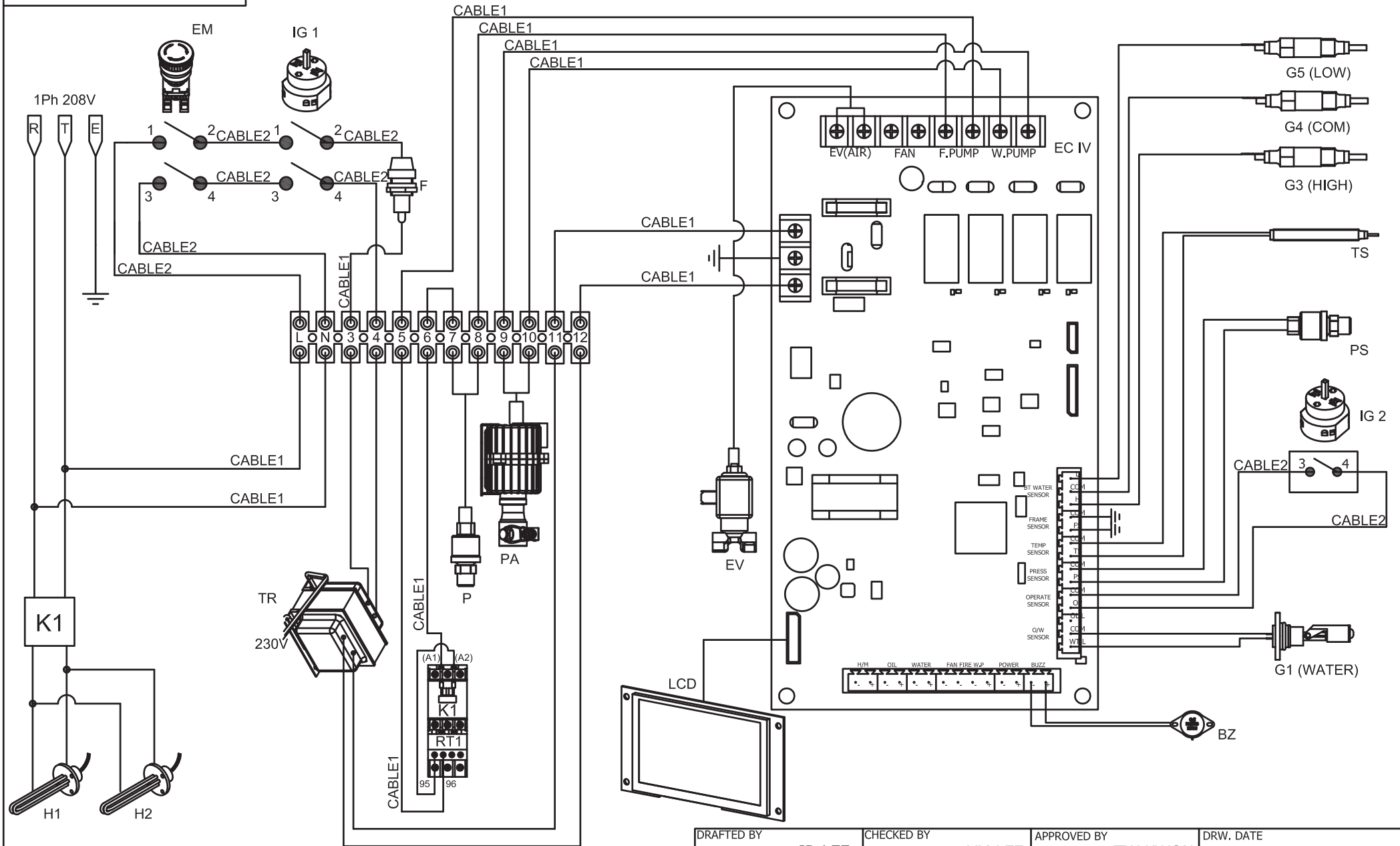
DRAFTED BY	CHECKED BY	APPROVED BY	DRW. DATE
JD.LEE	YM.LEE	TW.KWON	2018.01.01
TITLE			2018.01.01
SJE Corporation, Ltd.			SCHEMATIC DIAGRAM (05K, 230V)
MODEL	SCALE	SIZE	
OPTIMA XE	1:	A4	



TABLE NO. 023 : SCHEMATIC DIAGRAM (05K, 230V)

REF NO.	PART NO.	DESCRIPTION	Q'TY	UNIT	MATERIAL	FROM	TO	REPLACED NO.
IG1	71168	Rotary Switch 16A, SA16 2-1	1	EA				
IG2	71168	Rotary Switch 16A, SA16 2-1	1	EA				
EC IV	23-32020	Electric control card AC 2.3 - GNT	1	EA				
TS	71380	Thermistor temp. sensor	1	EA				
F	70307	Fuse 5x20 4A	1	EA				
PS	70081	Pressure switch, Auto reset, N/C, 8.5/7 bar	1	EA				
P	70082	Pressure switch, Auto reset, N/C, 9.5/8 bar	1	EA				
PA	70133	Feedwater pump MO204V viton	1	EA				
BZ	70769	Buzzer DC12V	1	EA				
G1	70171	Floater level switch	1	EA				
G3	70175	Water probe sensor, HIGH	1	EA				
G4	70175	Water probe sensor, COM	1	EA				
G5	70175	Water probe sensor, LOW	1	EA				
EV	71231	Electronic valve JYZ-3E 230V, air purge	1	EA				
K	13-32003	Contactora MC 32A	1	EA				
RT	70734	Thermal Relay MT-32(22-32A)	1	EA				
H1	70458	Electric heater 3KW, 220V	1	EA				
H2	70457	Electric heater 2KW, 220V	1	EA				
LCD	23-32021	Display control card V1.1 with cable	1	EA				
CABLE1	23-31007	Cables for PCB Connector, XE	1	EA				
CABLE2	23-31008	Cables for power and steam Switch, XE	1	EA				
EM	13-33008	Emergency Stop Switch, DECA A20B-V4E02R	1	EA				

TABLE NO. 024



DRAFTED BY	CHECKED BY	APPROVED BY	DRW. DATE
JD.LEE	YM.LEE	TW.KWON	2018.01.01
			TITLE
			SCHEMATIC DIAGRAM (05K, 208V)
MODEL	SCALE	SIZE	
OPTIMA XE	1:	A4	

TABLE NO. 024 : SCHEMATIC DIAGRAM (05K, 208V)

REF NO.	PART NO.	DESCRIPTION	Q'TY	UNIT	MATERIAL	FROM	TO	REPLACED NO.
IG1	71168	Rotary Switch 16A, SA16 2-1	1	EA				
IG2	71168	Rotary Switch 16A, SA16 2-1	1	EA				
EC IV	23-32020	Electric control card AC 2.3 - GNT	1	EA				
TS	71380	Thermistor temp. sensor	1	EA				
F	70307	Fuse 5x20 4A	1	EA				
PS	70081	Pressure switch, Auto reset, N/C, 8.5/7 bar	1	EA				
P	70082	Pressure switch, Auto reset, N/C, 9.5/8 bar	1	EA				
PA	70133	Feedwater pump MO204V viton	1	EA				
BZ	70769	Buzzer DC12V	1	EA				
G1	70171	Floater level switch	1	EA				
G3	70175	Water probe sensor, HIGH	1	EA				
G4	70175	Water probe sensor, COM	1	EA				
G5	70175	Water probe sensor, LOW	1	EA				
EV	71231	Electronic valve JYZ-3E 230V, air purge	1	EA				
K	13-32003	Contacto MC 32A	1	EA				
RT	70734	Thermal Relay MT-32(22-32A)	1	EA				
H1	70458	Electric heater 3KW, 230V	1	EA				
H2	70457	Electric heater 2KW, 230V	1	EA				
TR	71173	Transformer 208-230V 50/60Hz 250VA with connector	1	EA				
LCD	23-32021	Display control card V1.1 with cable	1	EA				
CABLE1	23-31007	Cables for PCB Connector, XE	1	EA				
CABLE2	23-31008	Cables for power and steam Switch, XE	1	EA				
EM	13-33008	Emergency Stop Switch, DECA A20B-V4E02R	1	EA				

TABLE NO. 025 : OPTIMA XE STICKER

REF NO.	PART NO.	DESCRIPTION	Q'TY	UNIT	MATERIAL	FROM	TO	REPLACED NO.
1	70904	Attention sticker	1	EA				
2	28-80022	Start up & Shut down Instruction sticker, XD/E	1	EA				
2	28-80023	Start up & Shut down Instruction sticker, Asia XD/E	(1)	EA				
3	70890	Label specification, OPTIMA	1	EA				
4	70934	Attention & Caution sticker	1	EA				
5	70908	Cetification Logo Sticker	1	EA				

STANDRAD ACCESSORIES

A. K26 STEAM GUN WITH NOZZLE



B. K26 STEAM GUN WITH QUICK COUPLER



C. SILENCE STEAM NOZZLE WITH QUICK PLUG



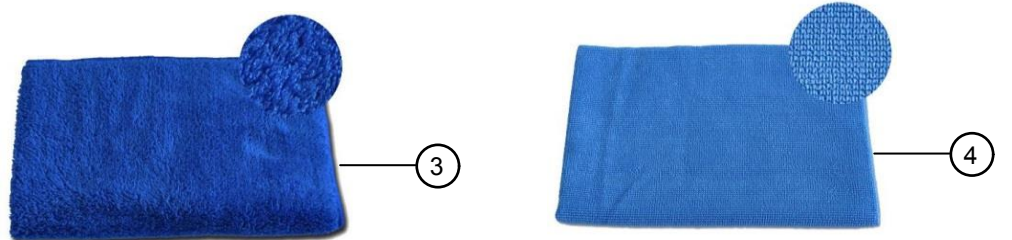
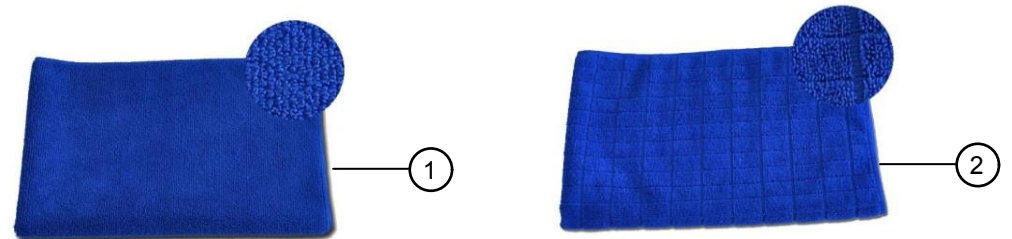
D. STEAM NOZZLE 3.5 WITH QUICK PLUG



E. STEAM NOZZLE 5-POLY 3/8, 10m



OPTIONAL ACCESSORIES



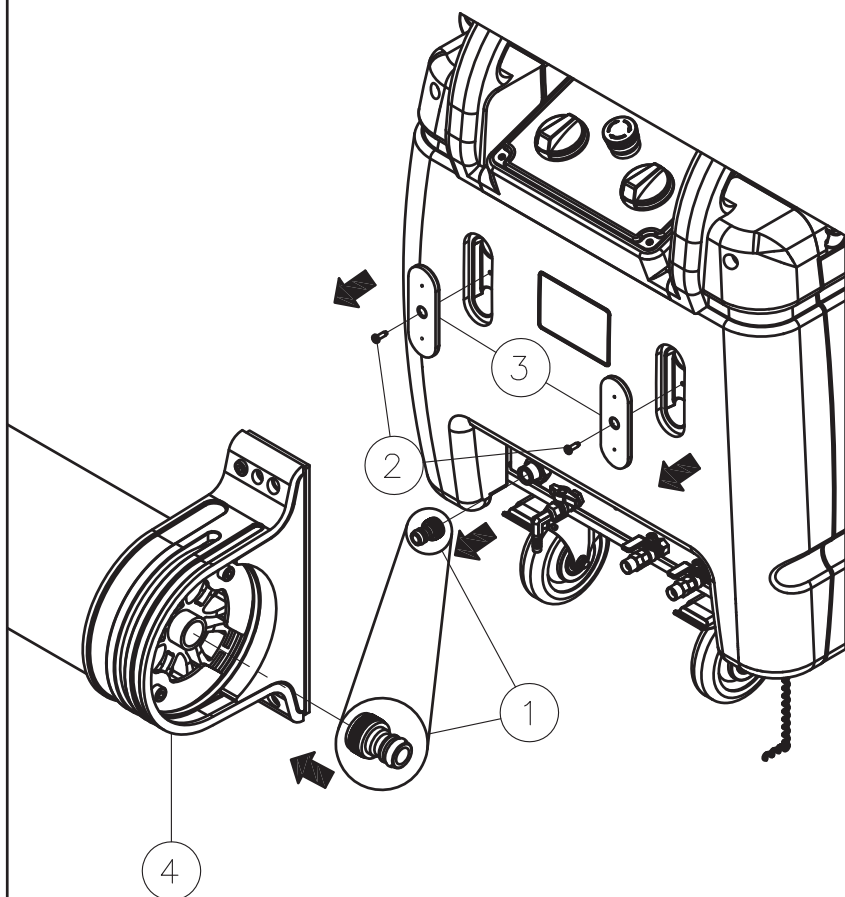
DRAFTED BY JD.LEE	CHECKED BY YM.LEE	APPROVED BY TW.KWON	DRW. DATE 2017-07-01
 SJE Corporation Ltd. Global Leader of Green solutions		TITLE ACCESSORIES & OPTIONAL PARTS	
		MODEL OPTIMA XE	SCALE SIZE

TABLE NO. 026 : ACCESSORIES & OPTIONAL PARTS

REF NO.	PART NO.	DESCRIPTION	Q'TY	UNIT	MATERIAL	FROM	TO	REPLACED NO.
A	A70015	Steam Gun K26 with nozzle 3.5	1		STANDARD			
B	A70274	Steam Gun K26 G3/8M with quick coupling	1		STANDARD	2013.01		
C	A70026	Steam Nozzle 3.5 + Quick plug	1		STANDARD	2013.01		
D	A71607	Silence steam nozzle + Quick plug	1		STANDARD	2013.01		
E	A70030	Steam hose 5-Poly 3/8, 10m	2	PIFE	STANDARD			
1	A71311	Microfiber towel FBZ, Dark blue			OPTINAL			
2	A71312	Microfiber towel Warp knitted, Dark blue			OPTINAL			
3	A71313	Microfiber towel Wool, Blue			OPTINAL			
4	A71314	Microfiber towel Double warp knitted, Blue			OPTINAL			
5-1	A70039	Power steam hose 5-Poly 3/8, 10m		PIFE	OPTINAL			
5-2	A70059	Power steam hose 5-Poly 3/8, 15m		PTFE	OPTINAL			
5-3	A70060	Power steam hose 5-Poly 3/8, 20m		PTFE	OPTINAL			
6-1	A70057	Steam hose 5-Poly 3/8, 15m		PTFE	OPTINAL			
6-2	A70058	Steam hose 5-Poly 3/8, 20m		PTFE	OPTINAL			
7	A70292	Anti-scaling treatment 1kg			OPTINAL			

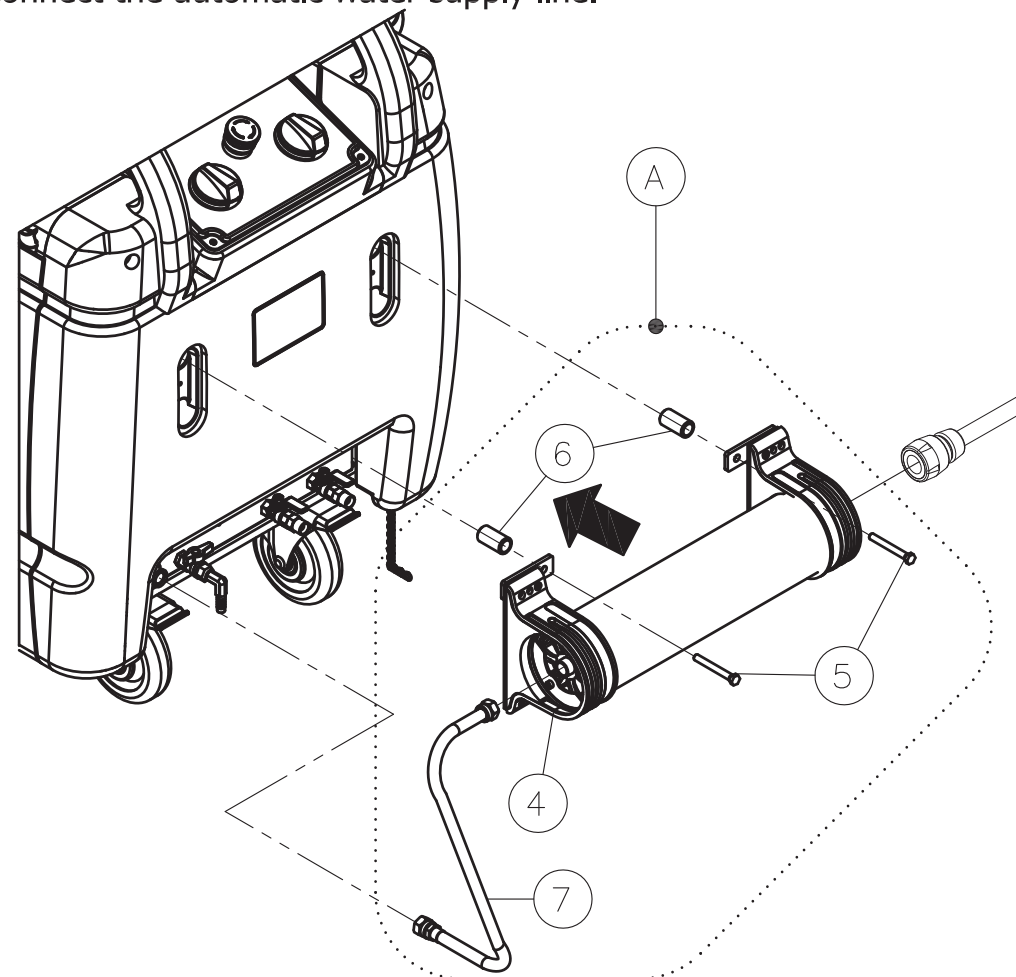
1. Preparation

1. Disassemble ①Plug from the steamer, and then assemble it to ④OMEGA SOFTENER.
2. Loosen the ②SCREW and remove ③HANDLE CAP.



2. Installation

1. Tighten ⑤BOLT to the steamer by passing through ④OMEGA SOFTENER and ⑥RING ROD like below picture.
2. Connect the ⑦HOSE between the steamer and ④OMEGA SOFTENER.
3. Connect the automatic water supply line.



DRAFTED BY	CHECKED BY	APPROVED BY	DRW. DATE
JD.LEE	YM.LEE	TW.KWON	2018.01.01
 SJE Corporation, Ltd. Global Leader of Green solutions			TITLE
			OMEGA SOFTNER(OPTIONAL)
MODEL	SCALE	SIZE	
OPTIMA XE	1: 6	A4	

TABLE NO. 027 : OMEGA SOFTNER(OPTIONAL)

REF NO.	PART NO.	DESCRIPTION	Q'TY	UNIT	MATERIAL	FROM	TO	REPLACED NO.
1	70615	Plug G1/2F - 10.5 for Coupling	1	EA				
2	70500	Screw T / T M4.8 x 20	2	EA		2013.01		
3	20-03036	Handle cap, Red-2V	2	EA		2013.01		
4	15-50004	Omega, Softener	1	EA		2013.01		
5	14-40047	Hex bolt M8 x 110, Zn	2	EA				
6	20-06025	Bracket Rod, Omega, XD/E	2	EA				
7	12-22004	Feedwater hose L.600	1	EA				
A	85-50048	Omega Softener kit for XD/E - (4, 5, 6, 7)	1	SET				



[Headquarter Office]
78-21, Sandan 7-ro, Jeonggywan-myeon, Gijang-gun, Busan, South Korea
Tel: +82 51-521-3200 | Fax: +82 505-521-3305 | Web: www.SJECorp.com

[Seoul Office]
C203, 40, Imi-ro, Uiwang-si, Gyeonggi-do, South Korea
Tel: +82 31-479-5660 | Fax: +82 505-521-3305 | Web: www.SJECorp.com



[US office - Steamericas, Inc.]
808 HINDRY AVENUE # E INGLEWOOD, CA 90301, United States
Tel: +1 310-327-8900 | Fax: +1 866-275-3582 | Web: www.steamericas.com

